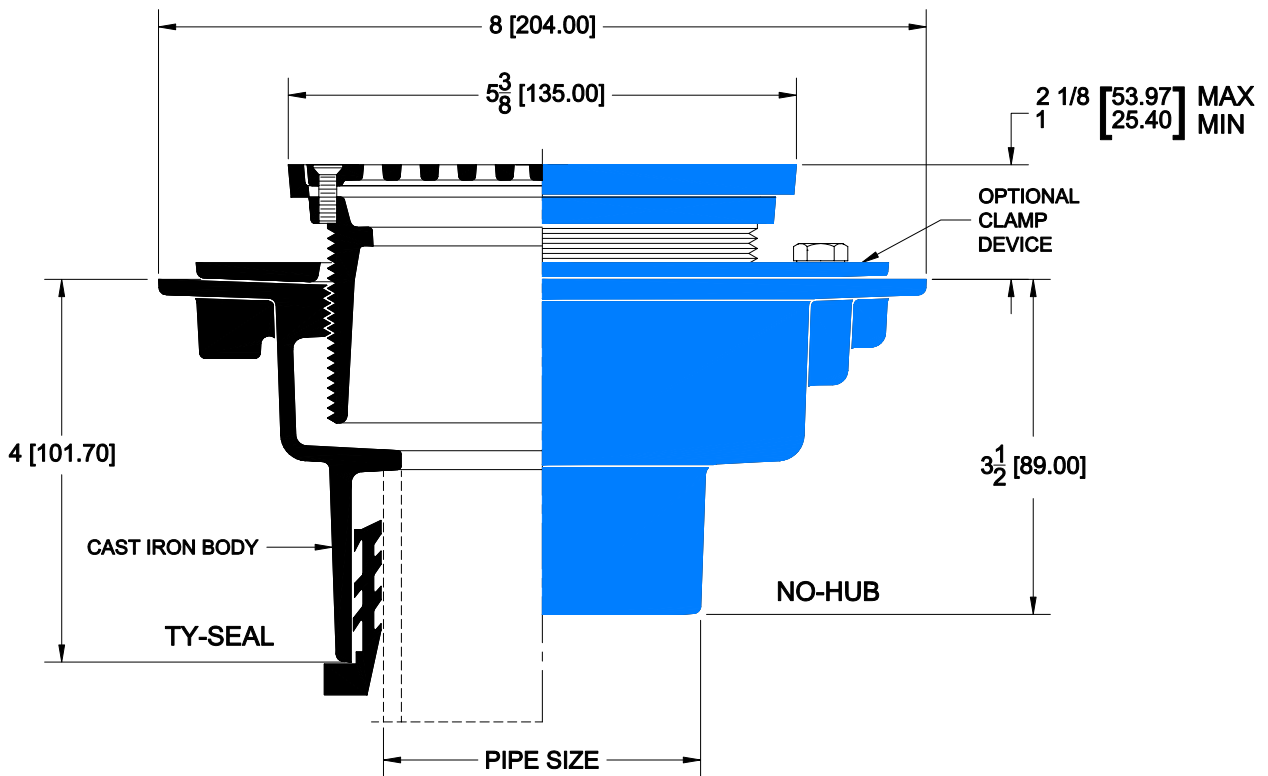
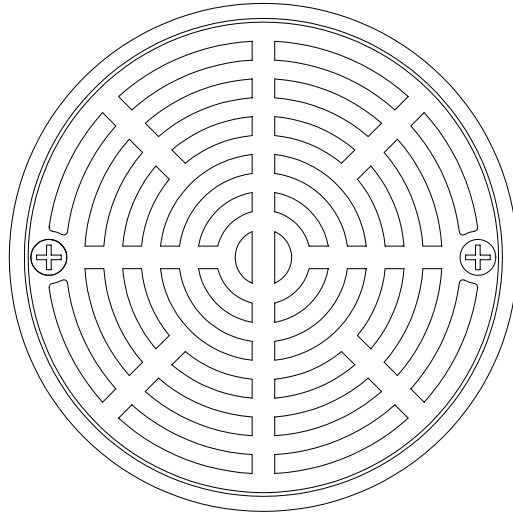


ADJUSTABLE FLOOR DRAIN

FD-100-RNB

ADJUSTABLE FLOOR / SHOWER DRAIN WITH ROUND SATIN FINISH NICKEL BRASS FRAME & GRATE, 1/2" NPT TRAP PRIMER TAP (PLUGGED) AND CAST IRON BODY WITH BOTTOM OUTLET.



OPTIONS

Catalog No.	Pipe Size	Outlet Style	Suffix	Description
<input type="checkbox"/> FD-102NH-5RNB	2 (50)	NO-HUB	<input type="checkbox"/> MC	MEMBRANE CLAMP
<input type="checkbox"/> FD-103NH-5RNB	3 (75)	NO-HUB		
<input type="checkbox"/> FD-104NH-5RNB	4 (100)	NO-HUB		
<input type="checkbox"/> FD-102TY-5RNB	2 (50)	TY-SEAL		
<input type="checkbox"/> FD-103TY-5RNB	3 (75)	TY-SEAL		
<input type="checkbox"/> FD-104TY-5RNB	4 (100)	TY-SEAL		