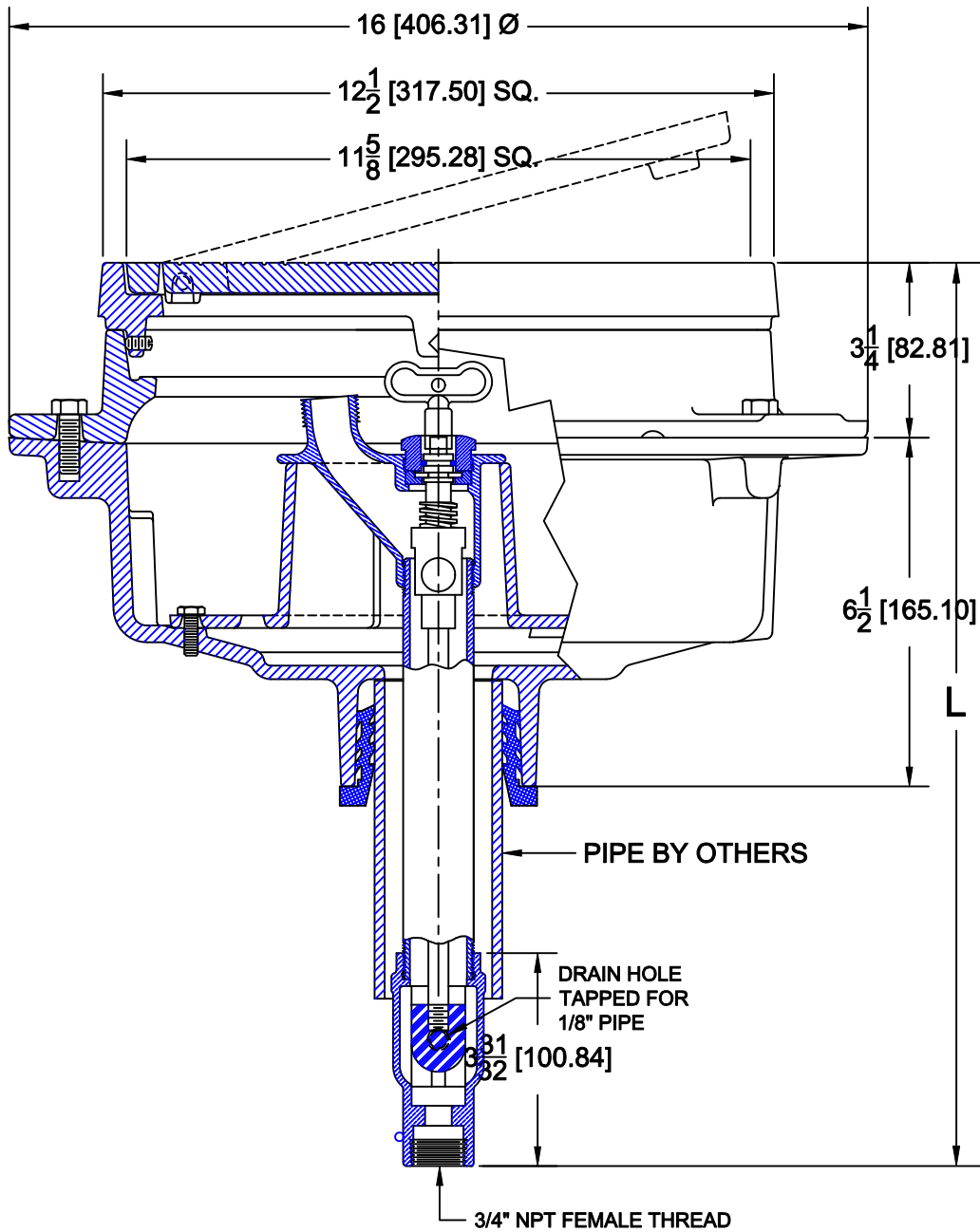


# GROUND BOX HYDRANT



## 8602-XH

NON-FREEZE GROUND BOX HYDRANT WITH ALL BRONZE INTERNAL PARTS, BRONZE CASING, CAST IRON BOX WITH HEAVY DUTY SCORIATED HINGED LID, 3/4" (19) NPT PIPE THREAD INLET, TEE HANDLE KEY AND 1/8" NPT THREADED DRAIN PORT.



### OPTIONS

Catalog No.	Hose Size	'L' (Length)
<input type="checkbox"/> 8610-XH-L2	3/4 (19)	2' (610)
<input type="checkbox"/> 8610-XH-L3	3/4 (19)	3' (914)
<input type="checkbox"/> 8610-XH-L4	3/4 (19)	4' (1219)
<input type="checkbox"/> 8610-XH-L5	3/4 (19)	5' (1524)
<input type="checkbox"/> 8610-XH-L6	3/4 (19)	6' (1829)
<input type="checkbox"/> 8602-XH-L7	3/4 (19)	7' (2134)

Suffix	Description
<input type="checkbox"/> 1	SATIN NICKEL BRONZE VENEER TOP
<input type="checkbox"/> 89	VACUUM BREAKER

Approval Date

Customer Approval

Job Location

Job Name

Wade Division / Tyler Pipe Assumes No Responsibility For Superseded or Voided Data

Dimensional Data (Inches/mm) are Subject to Manufacturers Tolerance and Change Without Notice.

# GROUND BOX HYDRANT



8602-XH

NON-FREEZE GROUND BOX HYDRANT WITH ALL BRONZE INTERNAL PARTS, BRONZE CASING, CAST IRON BOX WITH HEAVY DUTY SCORIATED HINGED LID, 3/4" (19) NPT PIPE THREAD INLET, TEE HANDLE KEY AND 1/8" NPT THREADED DRAIN PORT.

Approval Date

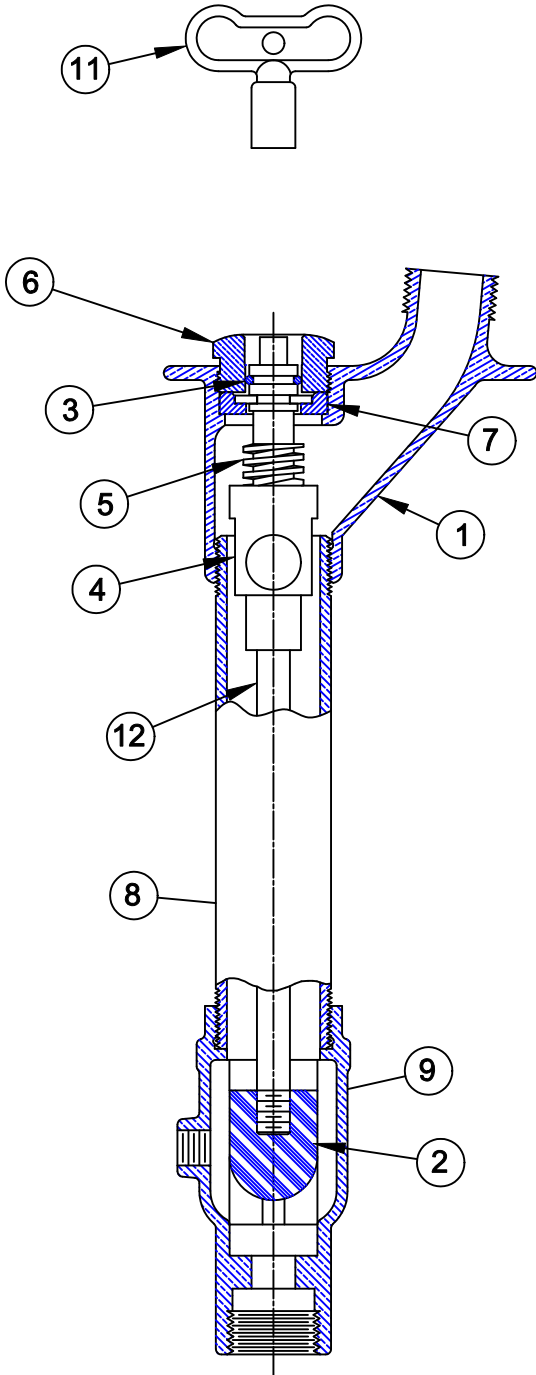
Customer Approval

Job Location

Job Name

Wade Division / Tyler Pipe Assumes No Responsibility For Superseded or Voided Data

Dimensional Data (Inches/mm) are Subject to Manufacturers Tolerance and Change Without Notice.



NO.	DESCRIPTION
1	HYDRANT HEAD
2	PLUNGER
3	O-RING (OPERATING STEM)
4	DRIVE SLEEVE
5	OPERATING STEM
6	STEM BUSHING NUT
7	THRUST WASHER
8	CASING
9	VALVE BODY
10	OPERATING KEY
11	CONTROL ROD (L2)
	CONTROL ROD (L3)
	CONTROL ROD (L4)
	CONTROL ROD (L5)
	CONTROL ROD (L6)

NO.	DESCRIPTION	UPC 670610
2,3,5 10,11	MINOR REPAIR KIT WK06	362142
2,3,4 5,6,7 10,11	MAJOR REPAIR KIT WK05	230731

# GROUND BOX HYDRANT



8602-XH

NON-FREEZE GROUND BOX HYDRANT WITH ALL BRONZE INTERNAL PARTS, BRONZE CASING, CAST IRON BOX WITH HEAVY DUTY SCORIATED HINGED LID, 3/4" (19) NPT PIPE THREAD INLET, TEE HANDLE KEY AND 1/8" NPT THREADED DRAIN PORT.

Approval Date

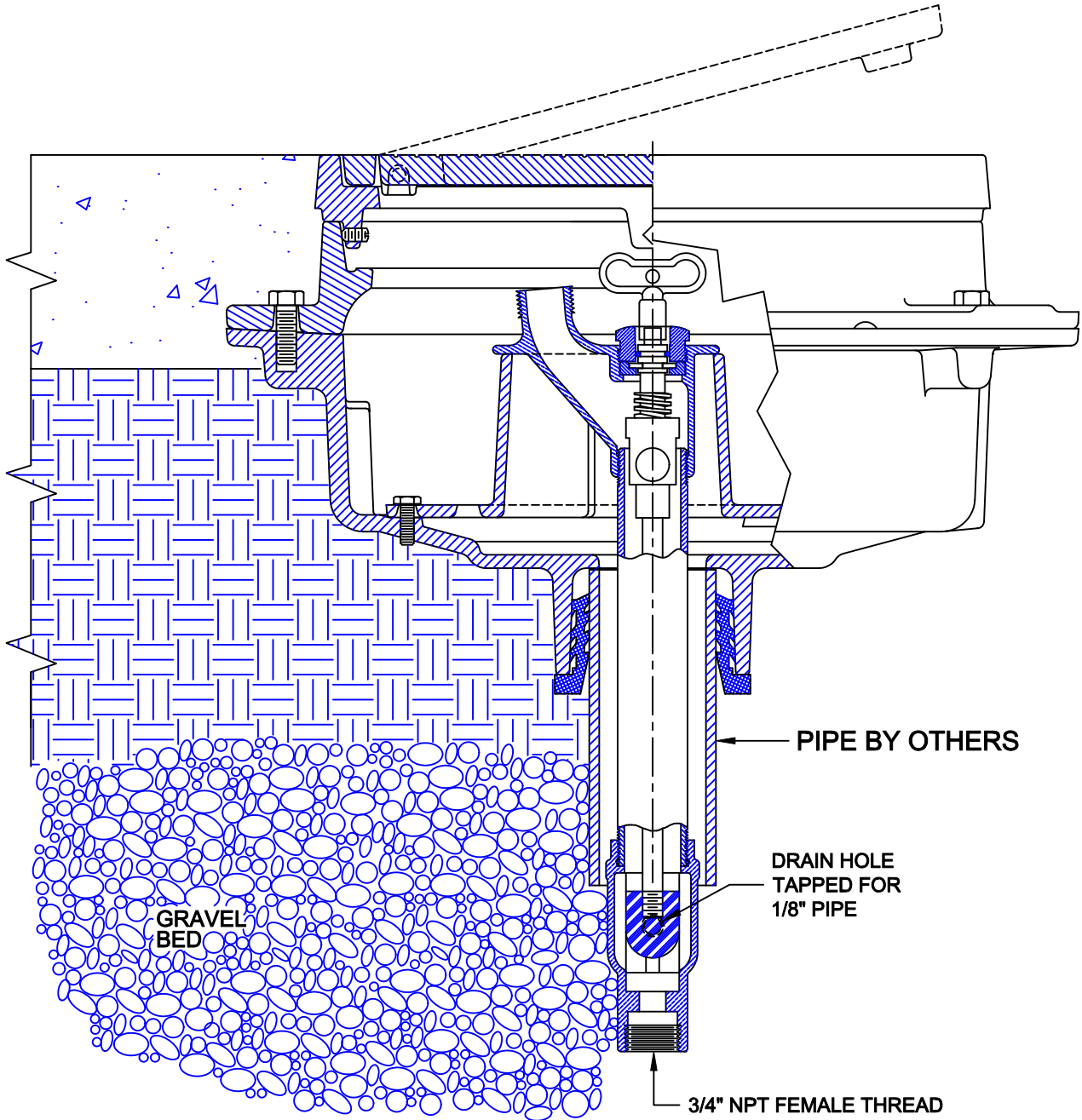
Customer Approval

Job Location

Job Name

Wade Division / Tyler Pipe Assumes No Responsibility For Superseded or Voided Data

Dimensional Data (Inches/mm) are Subject to Manufacturers Tolerance and Change Without Notice.



The Wade 8602-XH ground hydrant provides a non-freeze water supply in any type of commercial, recreational, industrial or residential application. The deep box provides hose storage and the hinged lid allows easy access. In the off position the plunger is seated in the valve body clearing the drain port to permit drainage into the gravel bed surrounding the tailpiece. The drain port is tapped for 1/8" NPT drain piping connection by others. When the hydrant is turned on, the plunger raises to seal off the drain port and allows full flow to the hose connection. The hydrant can be installed with the box at ground level, or if installed in areas subject to traffic, a concrete mounting base can be utilized. An optional satin finish nickel bronze veneer top adds decorative appeal if desired.

AutoCad.dwg

# GROUND BOX HYDRANT



## 8602-XH

NON-FREEZE GROUND BOX HYDRANT WITH ALL BRONZE INTERNAL PARTS, BRONZE CASING, CAST IRON BOX WITH HEAVY DUTY SCORIATED HINGED LID, 3/4" (19) NPT PIPE THREAD INLET, TEE HANDLE KEY AND 1/8" NPT THREADED DRAIN PORT.

### Troubleshooting Guide

PROBLEM	CAUSE	SOLUTION
Hydrant will not operate when turned on	Water supply is off	Turn water supply on
Cannot turn the hydrant on with the key	Hydrant has not been operated for a long period - O-ring has adhered to stem and head	See service guide steps 1-2, 4-5 and 8-10
Water sprays from around the key operator when the hydrant is on	Operating coupling o-ring is damaged	See service guide steps 1-4
Hydrant will not shut off completely	Plunger assembly is loose or damaged	See service guide steps 1-4
Hydrant has low flow	Water supply to the hydrant is restricted	Check water supply to ensure that all upstream valves are fully open

### Service Guide

#### Step 1: Shut Off Water Supply to Hydrant.

Locate the supply shut-off valve and actuate until water supply is off.

#### Step 2: Removing Internal Components

Use a wrench of appropriate size to remove the stem bushing nut by turning counterclockwise.

With a key operator, turn the drive screw 3 to 4 turns clockwise to let the drive screw assembly protrude slightly from the hydrant face. Using (2) screwdrivers or vise-grip pliers, pull to release the internal operating assembly.

#### Step 3: Replacing Operating Stem and Internal Seals

Unscrew the plunger assembly from the operating rod. Screw a new plunger or cartridge assembly onto the rod.

Reassemble the drive screw, drive sleeve, operating rod, plunger.

Insert assembly into the hydrant with the square drive sleeve aligned with its square bore.

Unscrew the drive screw from the sleeve and install the nylon thrust washer / seal and stem bushing nut.

Operate the hydrant fully open and closed to check for normal operation.

#### Step 4: Turn On the Water Supply

Locate the water supply valve and actuate open. Open and close the hydrant to ensure it works correctly.

Approval Date

Customer Approval

Job Location

Job Name

Dimensional Data (Inches/mm) are Subject to Manufacturers Tolerance and Change Without Notice. Wade Division / Tyler Pipe Assumes No Responsibility For Superseded or Voided Data