

Lavatory, Urinal, Fountain Carrier

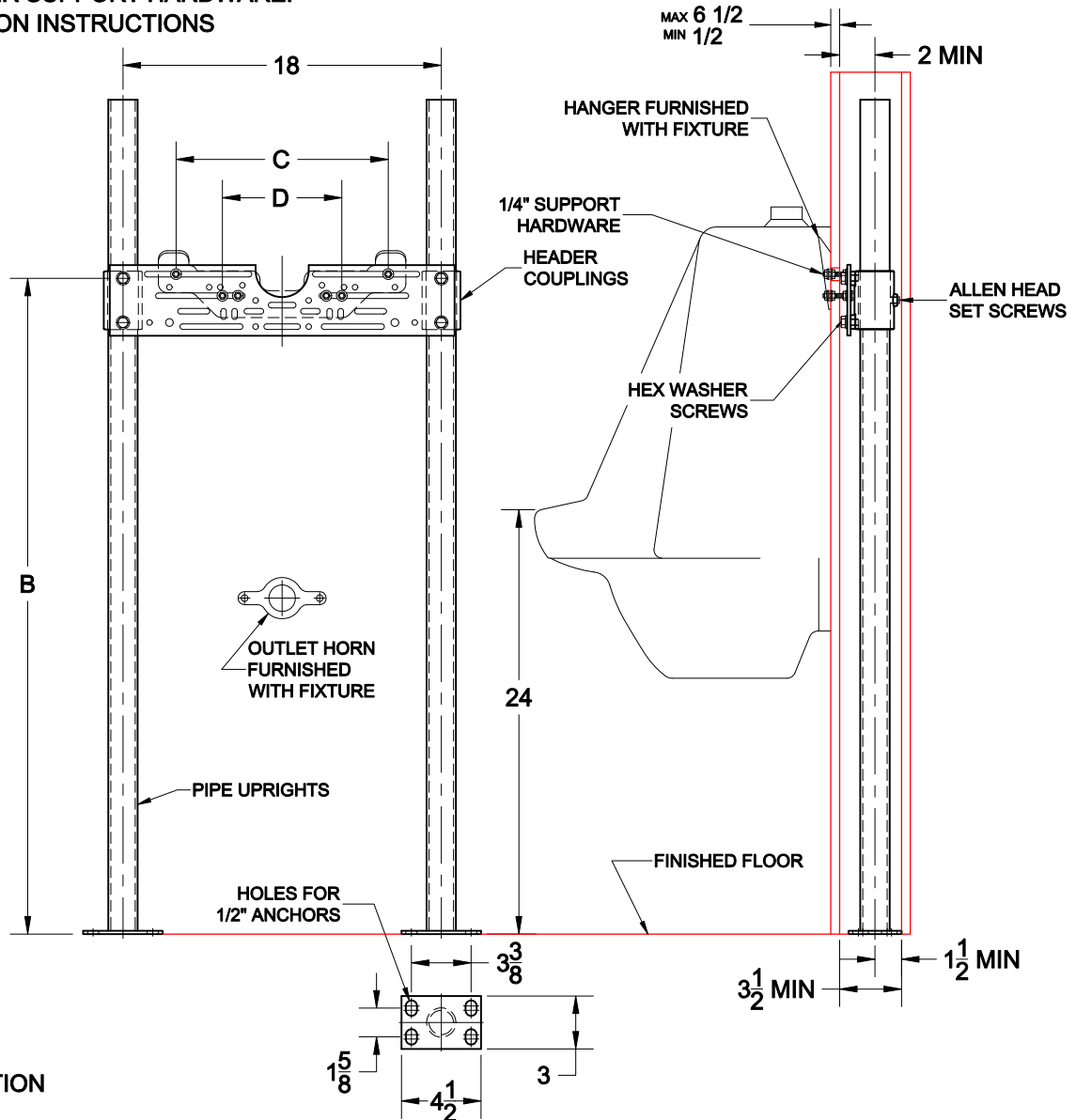


Approval Date
Customer Approval
Job Location
Job Name

Wade Division / Tyler Pipe Assumes No Responsibility For Superseded or Voided Data
Dimensional Data (Inches/mm) are Subject to Manufacturers Tolerance and Change Without Notice.

400 SERIES

UNIVERSAL HANGER PLATE CARRIER WITH UPRIGHTS, WELDED BASE FEET, CAST IRON HEADER COUPLINGS AND HANGER SUPPORT HARDWARE.
INSTALLATION INSTRUCTIONS



INSTALLATION

1. Determine correct plate orientation from the carrier rough-in sheet for the fixture to be used. Secure plate to the header couplings with the provided 3/8" hex washer head screws.
2. Slide header couplings (with plate attached) onto the uprights with welded base feet. Position to the desired height (Dimension B) - Tighten header coupling set screws with an allen wrench.
3. Attach hardware (threaded rods) to the plate at the positions indicated on the fixture rough-in sheet with hex washer nuts provided - Dimensions C & D.
4. Position assembled carrier onto floor at the anticipated fixture centerline and behind the anticipated finished wall. Secure the feet with (4) 1/2" wedge anchors per welded base foot support.
5. After finished wall is completed, the hanger support studs (threaded rods) should protrude through the wall. Attach the fixture hanger (provided by fixture manufacturer) to the threaded rods with the provided hex washer nuts. The hanger should be tight against the finished wall.
6. Follow fixture manufacturer's recommendations for installing the fixture.