

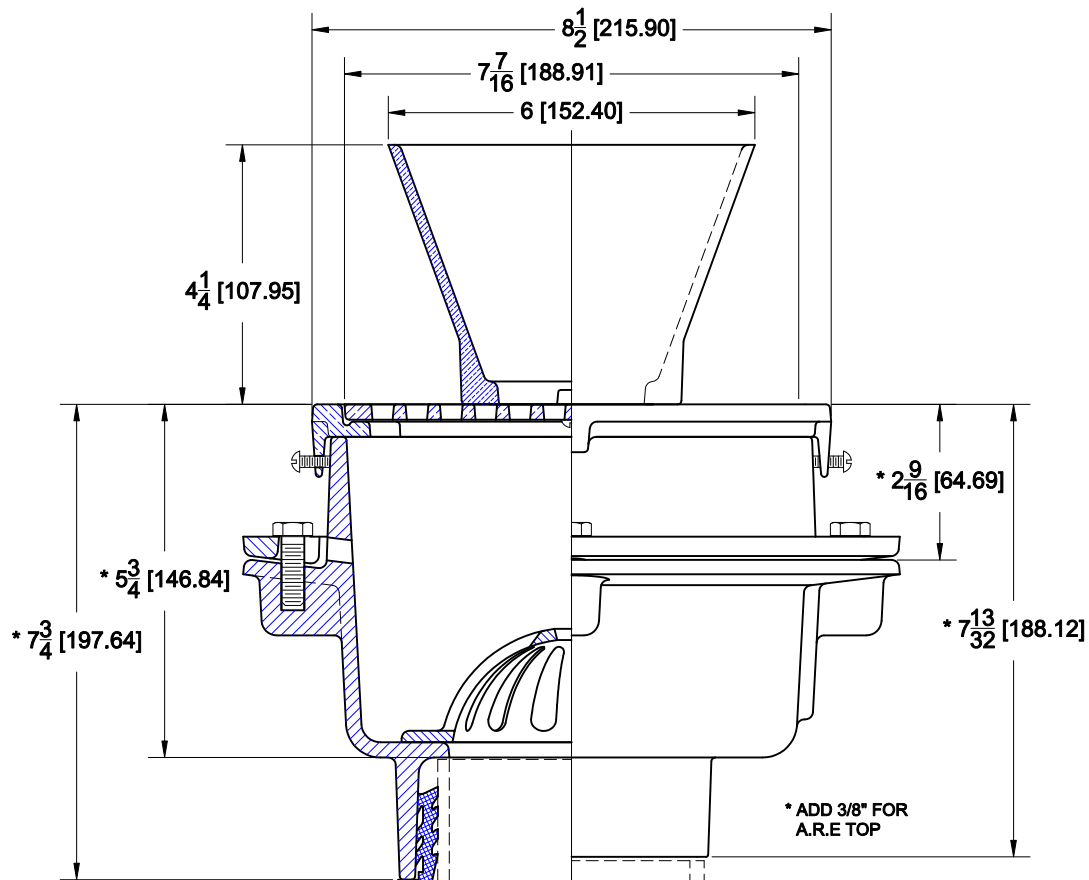
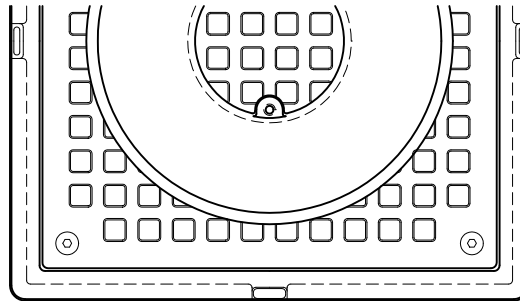
# FLOOR SINKS - SQUARE



9110-1-EF6

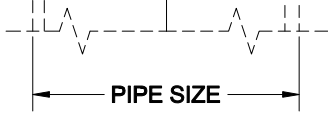
CAST IRON 8" SQUARE FLOOR SINK WITH 6" DEEP SUMP, A.R.E. INTERIOR, NICKEL BRONZE TOP, 6" DIA. FUNNEL, ALUMINUM DOME BOTTOM STRAINER AND BOTTOM OUTLET.

GRATE FREE AREA:  
16.0 SQ.IN. (NB)  
19.0 SQ.IN. (A.R.E.)



## OUTLETS

Suffix	Description
NH	NO-HUB (3, 4")
TY	TY-SEAL
IC	INSIDE CAULK (3, 4")



## OPTIONS

Cat. No.	Pipe Size	Wt. Lbs.	Suffix	Description
9112-1-EF6	2 (50)	25.0	6	TRAP PRIMER CONNECTION (1/2" NPT)
9113-1-EF6	3 (75)	25.0	15	HALF GRATE
9114-1-EF6	4 (100)	25.0	16	THREE QUARTER GRATE
			26	CLAMP DEVICE
			27	ALUMINUM SEDIMENT BUCKET
			64	A.R.E. CAST IRON TOP

NOTE: TY-SEAL OUTLETS WILL ACCOMODATE IPS PIPE SIZES IN 2", 3" & 4" ONLY. (PLASTIC, STEEL, ETC.)

AutoCad.dwg