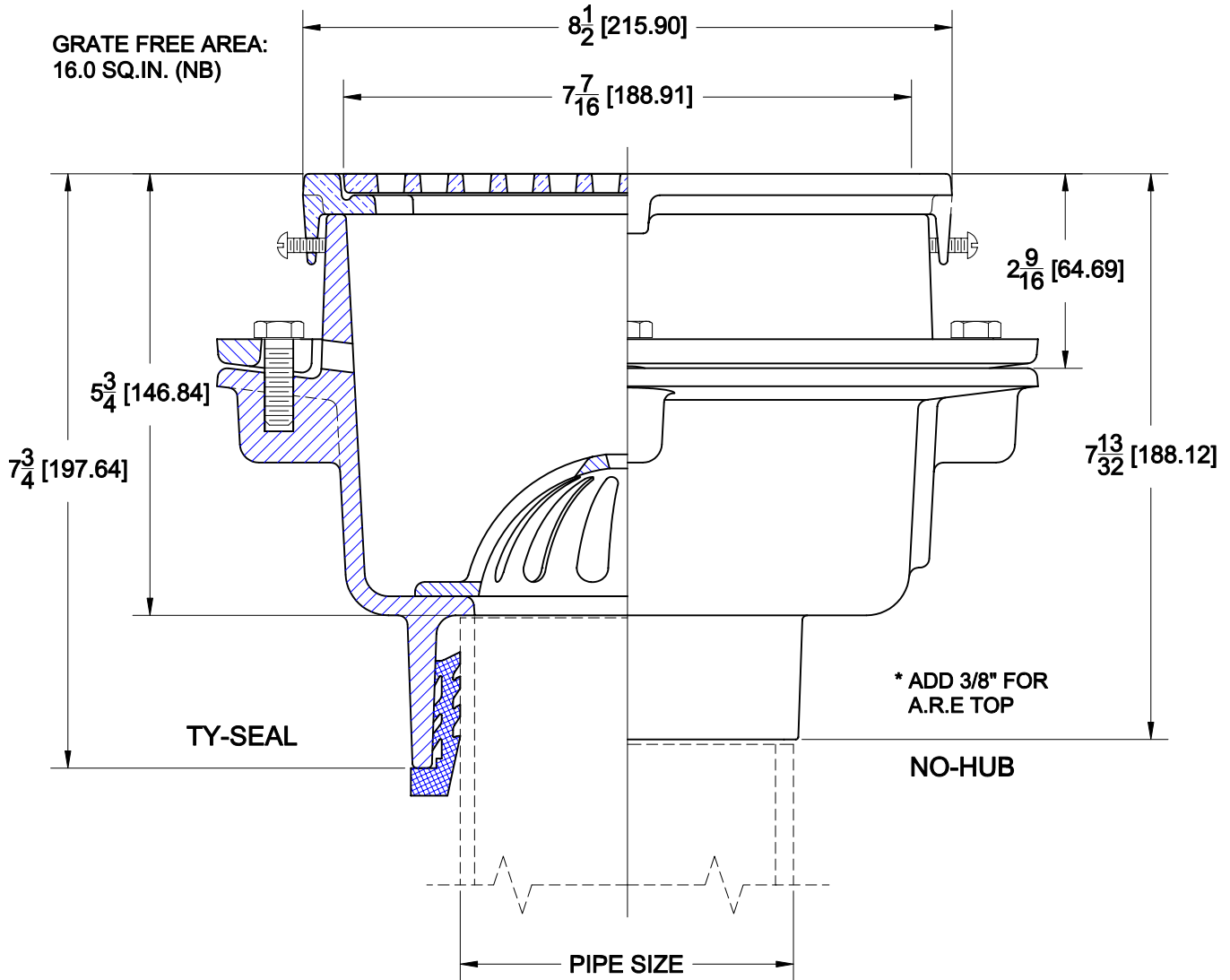


FLOOR SINKS - SQUARE



9110-26

CAST IRON 8" SQUARE FLOOR SINK WITH 6" DEEP SUMP, A.R.E. INTERIOR, SEEPAGE FLANGE, CLAMP DEVICE, ALUMINUM DOME BOTTOM STRAINER AND NICKEL BRONZE TOP WITH SECURED GRATE.



OUTLETS

Suffix	Description
NH	NO-HUB (3, 4")
TY	TY-SEAL
IC	INSIDE CAULK (3, 4")

OPTIONS

Cat. No.	Pipe Size	Wt. Lbs.	Suffix	Description
9112-26	2 (50)	25.0	6	TRAP PRIMER CONNECTION (1/2" NPT)
9113-26	3 (75)	25.0	14	HINGED GRATE
9114-26	4 (100)	25.0	15	HALF GRATE
			16	THREE QUARTER GRATE
			26	CLAMP DEVICE
			27	ALUMINUM SEDIMENT BUCKET

NOTE: TY-SEAL OUTLETS WILL ACCOMODATE IPS PIPE SIZES IN 2", 3" & 4" ONLY. (PLASTIC, STEEL, ETC.)

AutoCad.dwg