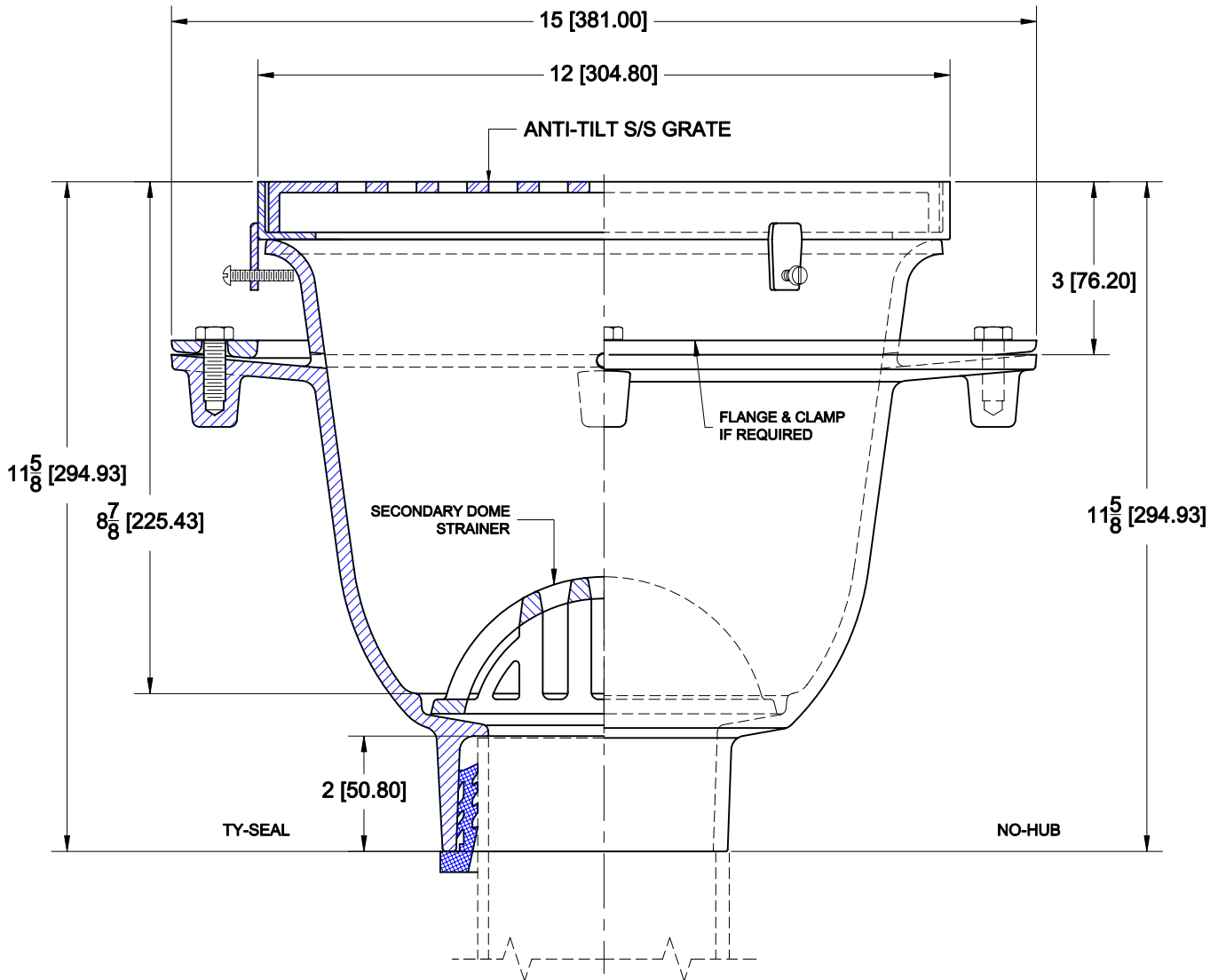


ROUND FLOOR SINK



9040-304

CAST IRON A.R.E COATED 12" ROUND 8" DEEP FLOOR SINK WITH PERFORATED STAINLESS STEEL TOP, NON-TILT LOOSE SET GRATE, SECONDARY DOME STRAINER AND BOTTOM OUTLET



OPTIONS

Cat. No.	Pipe Size	Wt. Lbs.
<input type="checkbox"/> 9042-304	2 (50)	34.0
<input type="checkbox"/> 9043-304	3 (75)	35.0
<input type="checkbox"/> 9044-304	4 (100)	36.0

Suffix	Description
<input type="checkbox"/> 15	HALF GRATE
<input type="checkbox"/> 16	THREE QUARTER GRATE
<input type="checkbox"/> 24	FLANGE
<input type="checkbox"/> 26	CLAMP DEVICE
<input type="checkbox"/> 27	SEDIMENT BUCKET

OUTLETS

Suffix	Description
<input type="checkbox"/> NH	NO-HUB
<input type="checkbox"/> TY	TY-SEAL