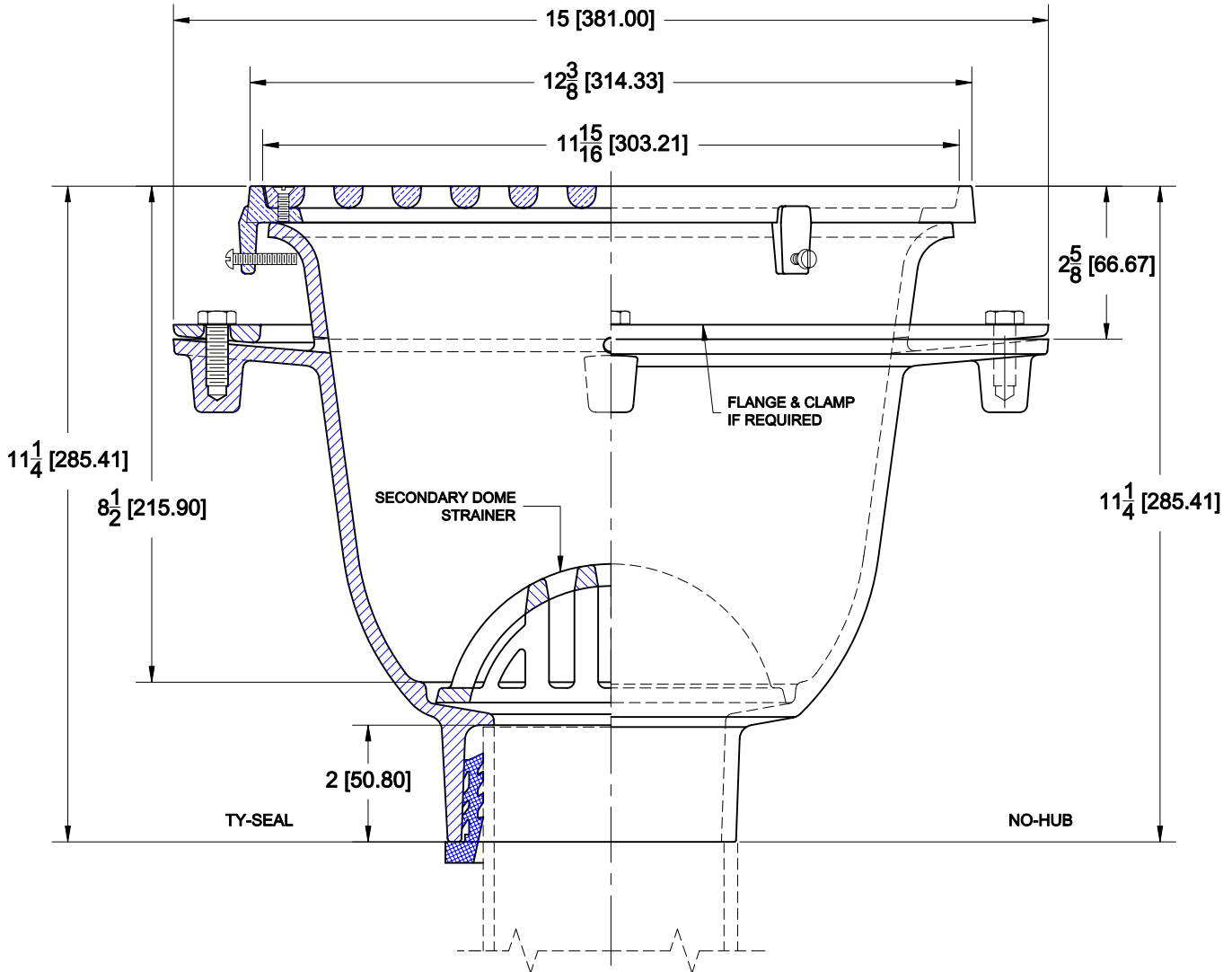


# ROUND FLOOR SINK



9040-1

CAST IRON A.R.E COATED 12" ROUND 8" DEEP FLOOR SINK WITH SATIN FINISH  
NICKEL BRONZE TOP, SECONDARY DOME STRAINER AND BOTTOM OUTLET



### OPTIONS

Cat. No.	Pipe Size	Wt. Lbs.	Suffix	Description
<input type="checkbox"/> 9042-1	2 (50)	34.0	<input type="checkbox"/> 15	HALF GRATE
<input type="checkbox"/> 9043-1	3 (75)	35.0	<input type="checkbox"/> 16	THREE QUARTER GRATE
<input type="checkbox"/> 9044-1	4 (100)	36.0	<input type="checkbox"/> 24	FLANGE
			<input type="checkbox"/> 26	CLAMP DEVICE
			<input type="checkbox"/> 27	SEDIMENT BUCKET

### OUTLETS

Suffix	Description
<input type="checkbox"/> NH	NO-HUB
<input type="checkbox"/> TY	TY-SEAL