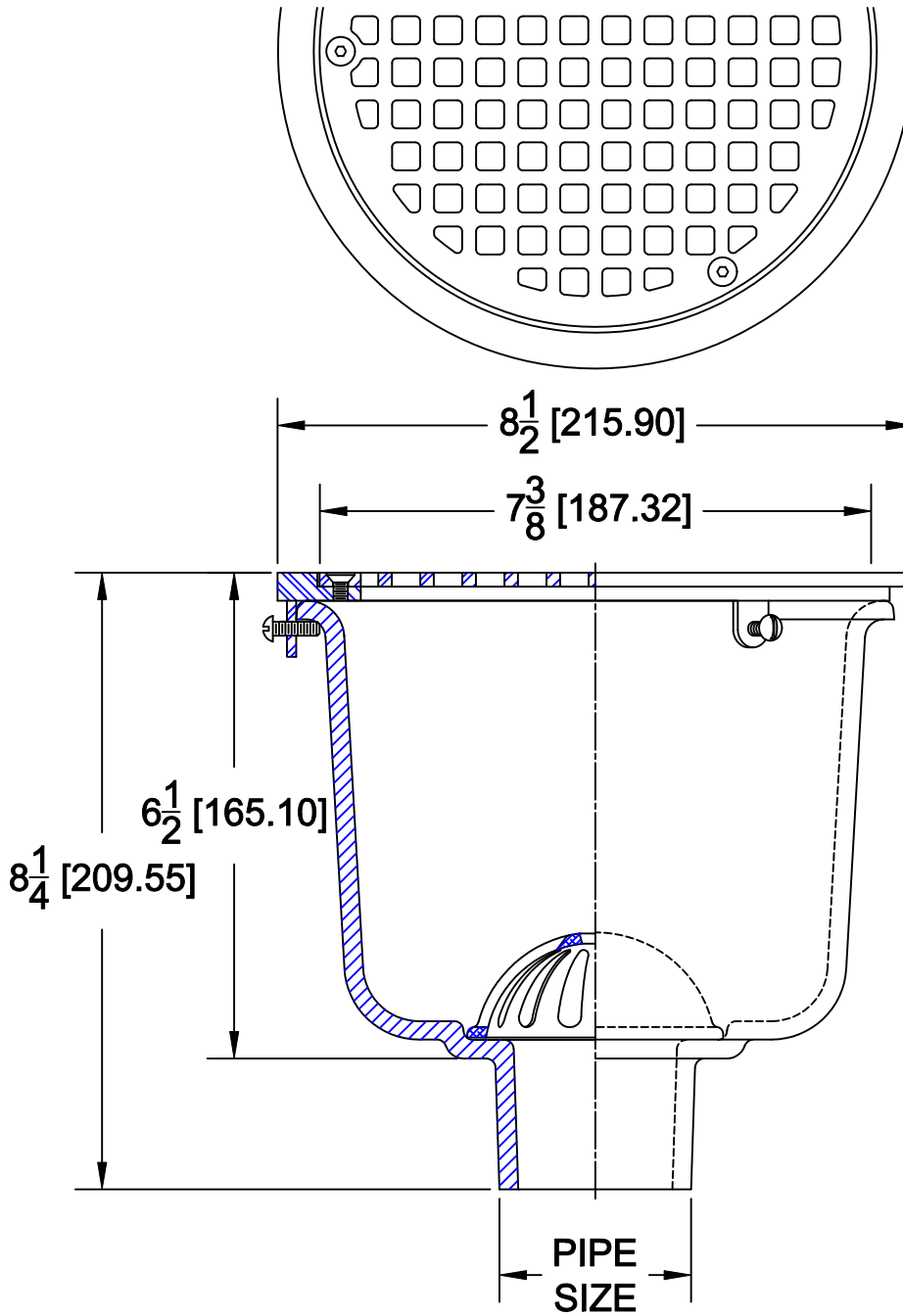


FLOOR SINKS



9010-LF-304

CAST IRON A.R.E. COATED ROUND FLOOR SINK WITH 6" DEEP SUMP, SEEPAGE FLANGE, PLASTIC DOME BOTTOM STRAINER, SATIN FINISH 304 STAINLESS STEEL TOP, SECURED GRATE & NO-HUB BOTTOM OUTLET



OPTIONS

| Cat. No. | Pipe Size | Wt. Lbs. | Suffix | Description |
|--------------------------------------|-----------|----------|-----------------------------|--------------------------|
| <input type="checkbox"/> 9012-LF-304 | 2 (50) | 34.0 | <input type="checkbox"/> 6 | TRAP PRIMER CONNECTION |
| <input type="checkbox"/> 9013-LF-304 | 3 (75) | 35.0 | <input type="checkbox"/> 15 | HALF GRATE |
| <input type="checkbox"/> 9014-LF-304 | 4 (100) | 36.0 | <input type="checkbox"/> 16 | THREE QUARTER GRATE |
| | | | <input type="checkbox"/> 17 | GRATE W/ CENTER HOLE |
| | | | <input type="checkbox"/> 26 | CLAMP DEVICE |
| | | | <input type="checkbox"/> 27 | ALUMINUM SEDIMENT BUCKET |

AutoCad.dwg