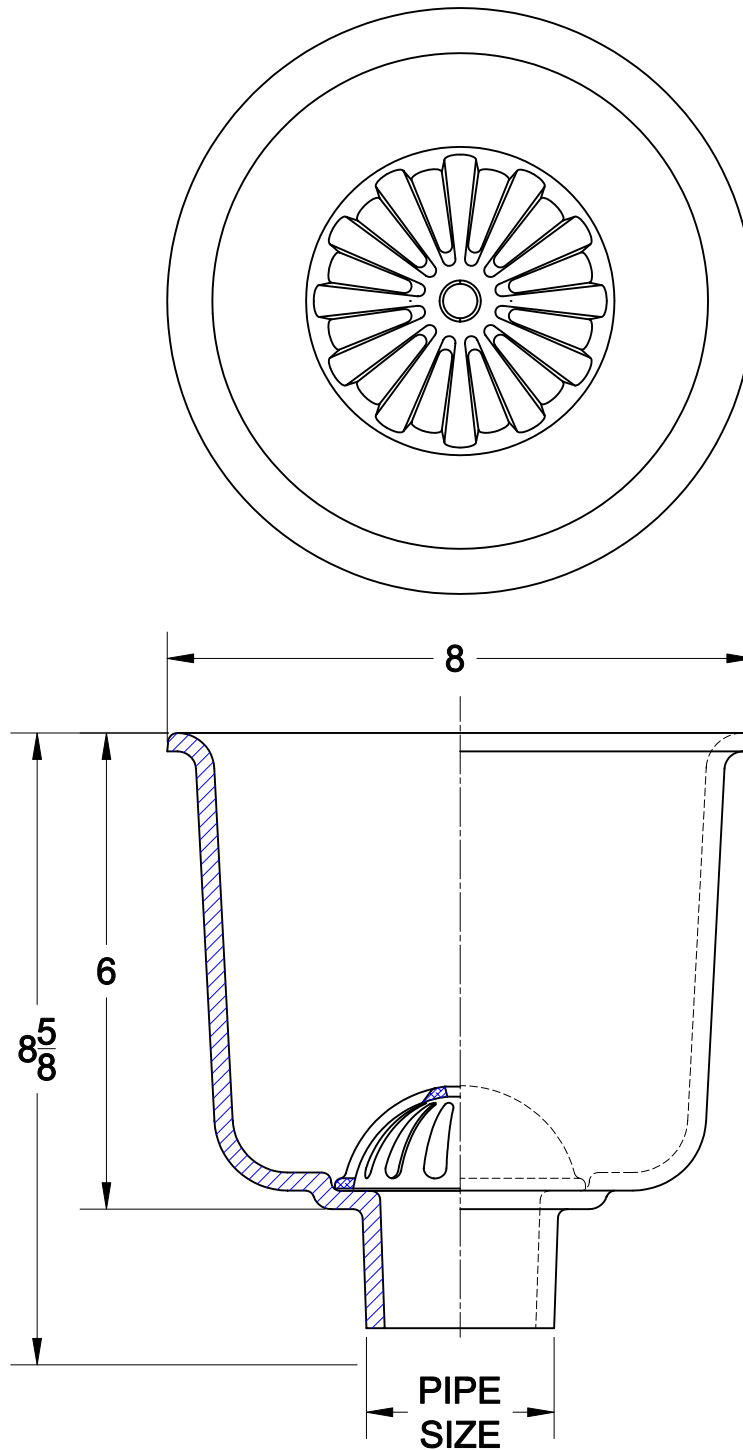


DRIP / CONDENSATE FUNNEL



9010-LF-22

CAST IRON 8" ROUND DRIP CONDENSATE FUNNEL WITH 6" DEEP SUMP, A.R.E. INTERIOR, PLASTIC DOME BOTTOM STRAINER. AND NO-HUB BOTTOM OUTLET.



Cat. No.	Pipe Size	Wt. Lbs.
9012-LF-22	2 (50)	25.0
9013-LF-22	3 (75)	25.0
9014-LF-22	4 (100)	25.0

AutoCad.dwg