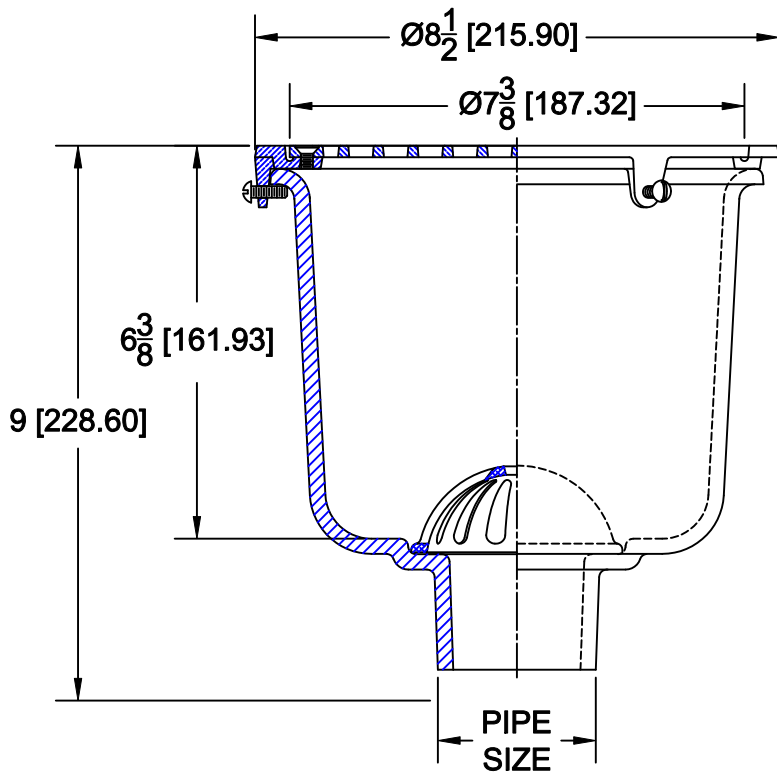
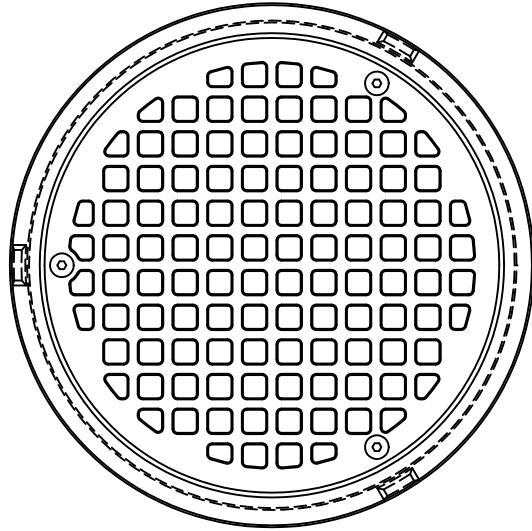


FLOOR SINKS



9010-LF-1

CAST IRON A.R.E. COATED ROUND FLOOR SINK WITH 6" DEEP SUMP, SEEPAGE FLANGE, PLASTIC DOME BOTTOM STRAINER, SATIN FINISH NICKEL BRONZE TOP, SECURED GRATE & NO-HUB BOTTOM OUTLET



OPTIONS

Cat. No.	Pipe Size	Wt. Lbs.	Suffix	Description
<input type="checkbox"/> 9012-LF-1	2 (50)	34.0	<input type="checkbox"/> 6	TRAP PRIMER CONNECTION
<input type="checkbox"/> 9013-LF-1	3 (75)	35.0	<input type="checkbox"/> 15	HALF GRATE
<input type="checkbox"/> 9014-LF-1	4 (100)	36.0	<input type="checkbox"/> 16	THREE QUARTER GRATE
			<input type="checkbox"/> 17	GRATE W/ CENTER HOLE
			<input type="checkbox"/> 26	CLAMP DEVICE
			<input type="checkbox"/> 27	ALUMINUM SEDIMENT BUCKET

AutoCad.dwg