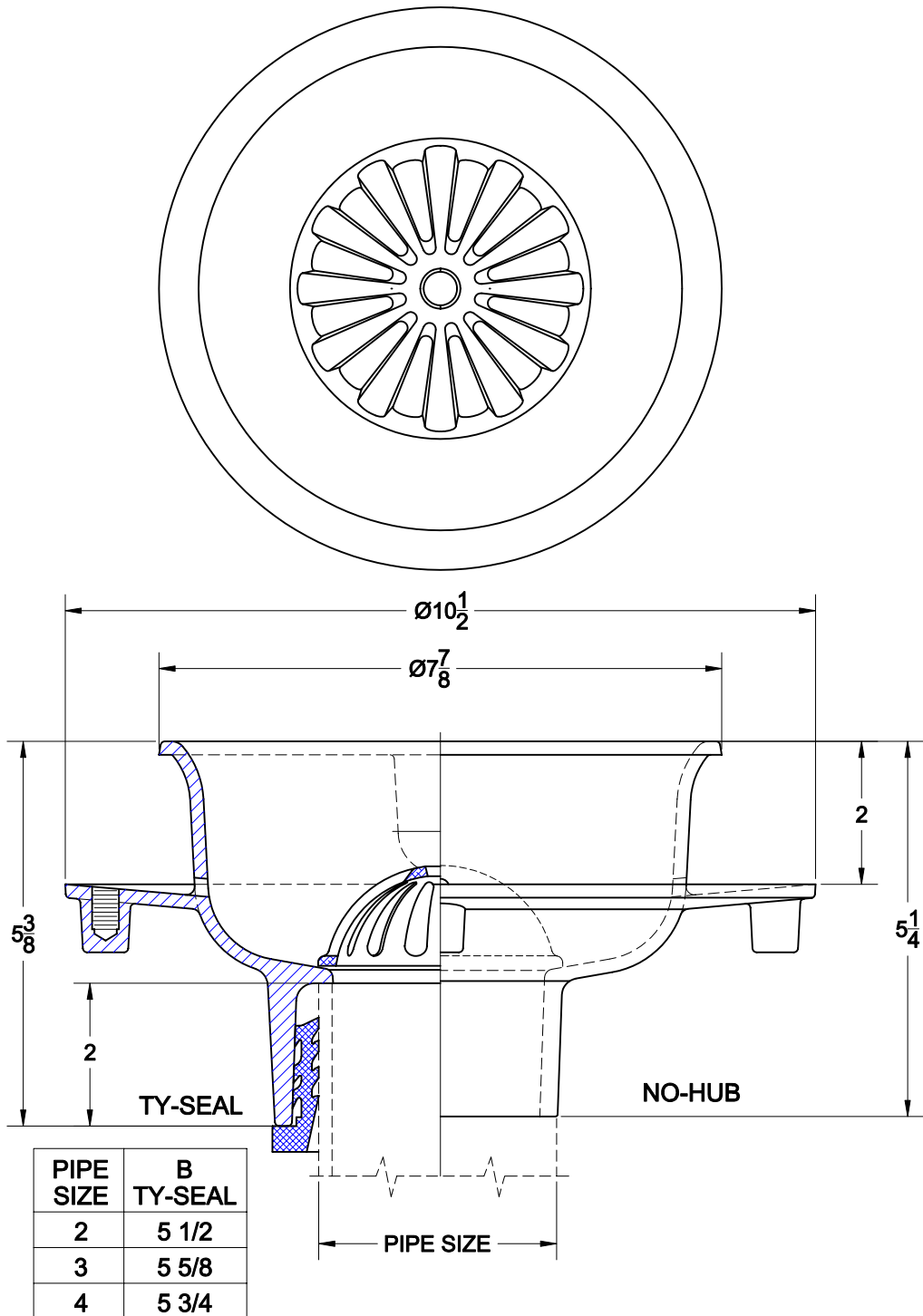


DRIP / CONDENSATE FUNNEL



9000-22

CAST IRON 8" ROUND DRIP CONDENSATE FUNNEL WITH 3" DEEP SUMP, A.R.E. INTERIOR, PLASTIC DOME BOTTOM STRAINER. AND NO-HUB BOTTOM OUTLET.



Cat. No.	Pipe Size	Wt. Lbs.
9002-22	2 (50)	22.0
9003-22	3 (75)	22.0
9004-22	4 (100)	22.0

AutoCad.dwg