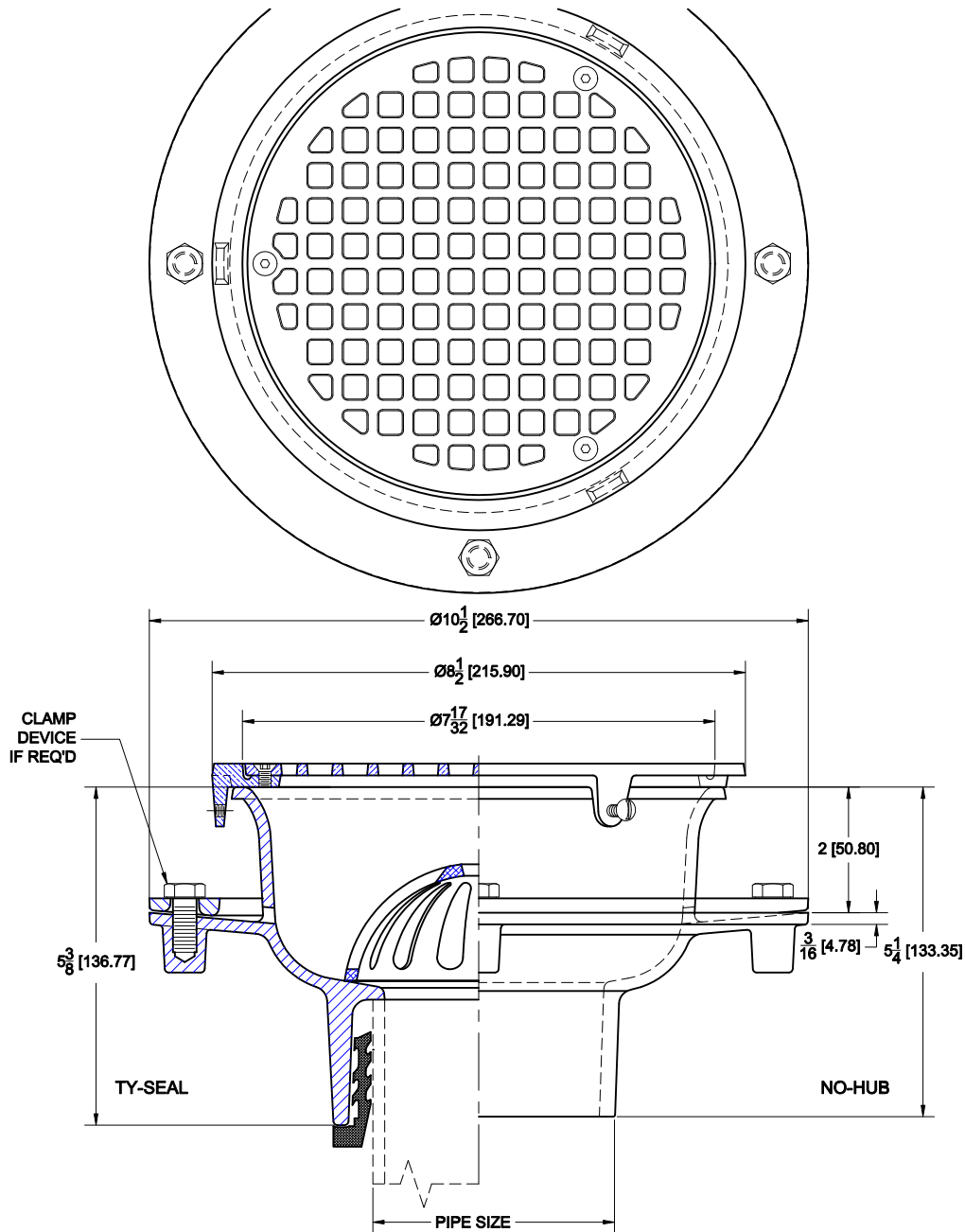


# FLOOR SINKS



9000-1

CAST IRON ROUND FLOOR SINK WITH SEEPAGE FLANGE, A.R.E. COATED INTERIOR, SATIN FINISH NICKEL BRONZE TOP ASSEMBLY, PLASTIC DOME STRAINER & BOTTOM OUTLET.



## OPTIONS

Cat. No.	Pipe Size	Wt. Lbs.	Suffix	Description
<input type="checkbox"/> 9012-1	2 (50)	34.0	<input type="checkbox"/> 6	1/2' TRAP PRIMER CONNECTION
<input type="checkbox"/> 9013-1	3 (75)	35.0	<input type="checkbox"/> 15	HALF GRATE
<input type="checkbox"/> 9014-1	4 (100)	36.0	<input type="checkbox"/> 16	THREE QUARTER GRATE
			<input type="checkbox"/> 17	GRATE WITH 2" CENTER HOLE
			<input type="checkbox"/> 26	CLAMP DEVICE
			<input type="checkbox"/> 27	ALUMINUM SEDIMENT BUCKET
<b>OUTLETS</b>				
<input type="checkbox"/> NH	NO-HUB			
<input type="checkbox"/> TY	TY-SEAL			

AutoCad.dwg