

NON-FREEZE WALL HYDRANT

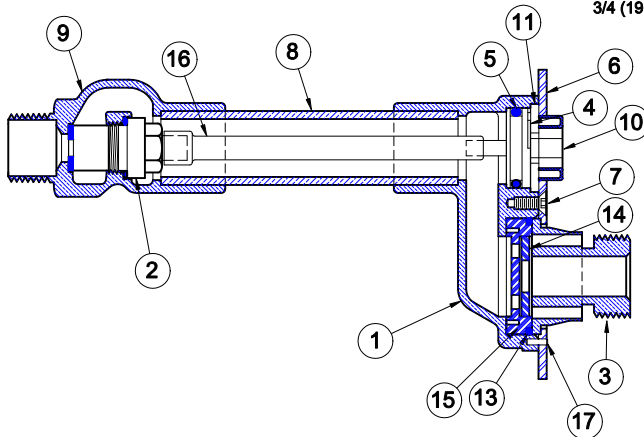
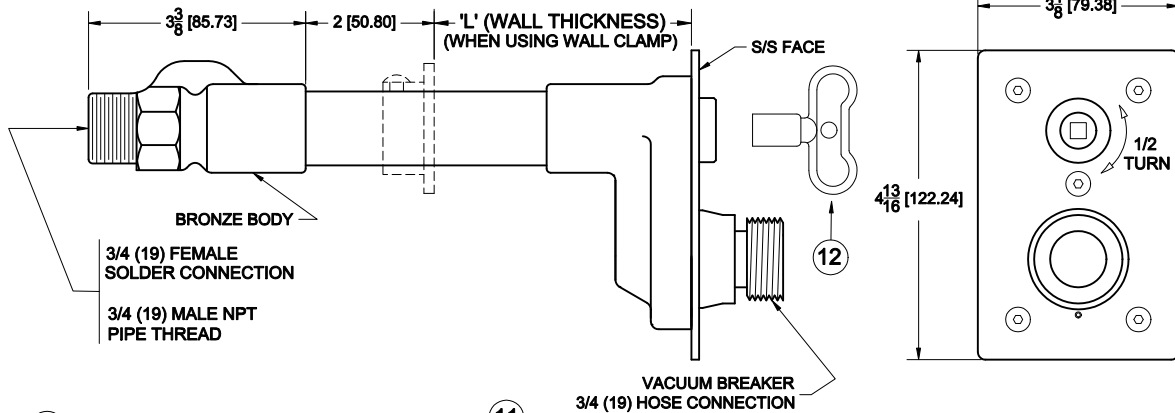


Approval Date
Customer Approval
Job Location
Job Name

8601

ANTI-SIPHON WALL HYDRANT WITH INTEGRAL BACKFLOW PREVENTER, ALL BRONZE INTERIOR PARTS, 1/2 TURN CERAMIC DISC, COMBINATION 3/4 (19) FEMALE SOLDER & 3/4 (19) MALE NPT PIPE THREAD INLET, BRONZE CASING, KEY OPERATOR AND STAINLESS STEEL FACE PLATE.

RECOMMENDED WALL OPENING
2-5/8 (67) X 4-1/8 (105)



NO.	DESCRIPTION	UPC 670810
1	HYDRANT HEAD	433514
2	CARTRIDGE ASSEMBLY	433545
3	VACUUM BREAKER NOZZLE	433705
4	O-RING (DRAIN OPENING)	433637
5	O-RING (OPERATING COUPLING)	433620
6	FACEPLATE ASSEMBLY	433699
7	FACE PLATE SCREW 10-24NC	263548
8	CASING	
9	VALVE CASING	433538
10	OPERATING COUPLING	433644
11	THRUST WASHER	433668
12	OPERATING KEY	433651
13	O-RING (DISC SEAL)	433712
14	BALANCE SEAL	433682
15	DISC (VACUUM BREAKER)	433675
16	CONTROL ROD (L4)	433552
	CONTROL ROD (L6)	433569
	CONTROL ROD (L8)	433576
	CONTROL ROD (L10)	433590
	CONTROL ROD (L12)	433583
	CONTROL ROD (L14)	433606
	CONTROL ROD (L16)	433613
	CONTROL ROD (L18)	
	CONTROL ROD (L20)	
17	SPRING PIN (ANTI-ROTATIONAL)	
2,4,5 10,11 12	REPAIR KIT	435334
	CARTRIDGE REMOVAL WRENCH	433781

Catalog No.	Pipe Size	'L' (Length)
<input type="checkbox"/> 8601-L4	3/4 (19)	4 (102)
<input type="checkbox"/> 8601-L6	3/4 (19)	6 (152)
<input type="checkbox"/> 8601-L8	3/4 (19)	8 (203)
<input type="checkbox"/> 8601-L10	3/4 (19)	10 (254)
<input type="checkbox"/> 8601-L12	3/4 (19)	12 (305)
<input type="checkbox"/> 8610-L14	3/4 (19)	14 (356)

OPTIONS

Suffix	Description
<input type="checkbox"/> 87	WALL CLAMP
<input type="checkbox"/> 175	STAINLESS STEEL BOX