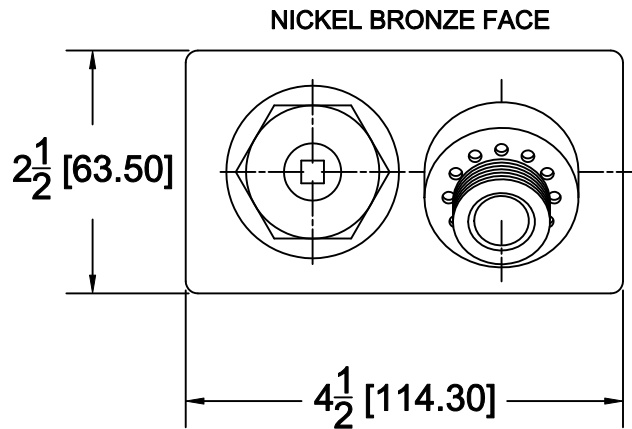
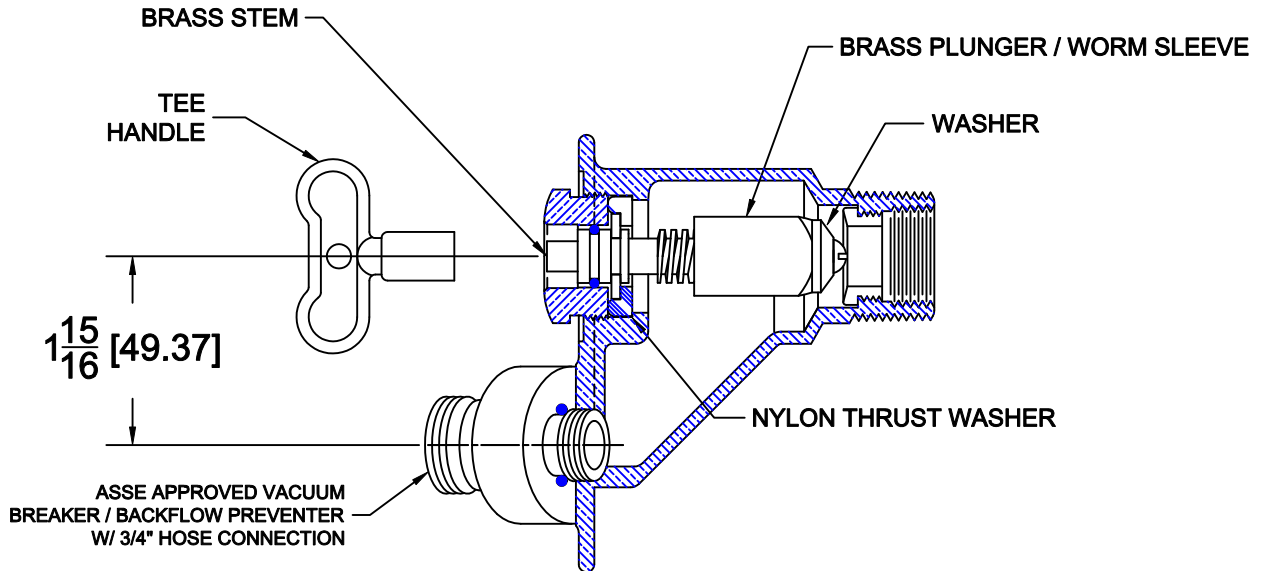


WALL HYDRANT



8600MT

3/4" MILD TEMP WALL HYDRANT WITH STRAIGHT INLET CONNECTION, BRONZE HEAD, BRASS OPERATING PARTS AND TEE HANDLE OPERATING KEY.



OPTIONS

Suffix	Description
87	COPPER SPEAT INLET CONNECTION
91	UNION ELBOW ASSEMBLY
131	WHEEL HANDLE

Approval Date
 Customer Approval
 Job Location
 Job Name
 Dimensional Data (Inches/mm) are Subject to Manufacturers Tolerance and Change Without Notice.
 Wade Division / Tyler Pipe Assumes No Responsibility For Superseded or Voided Data