

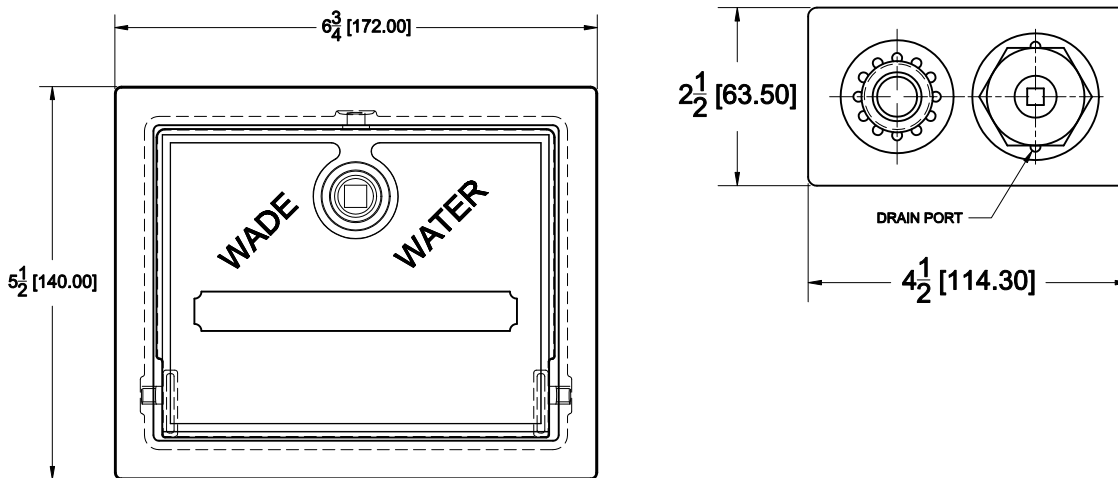
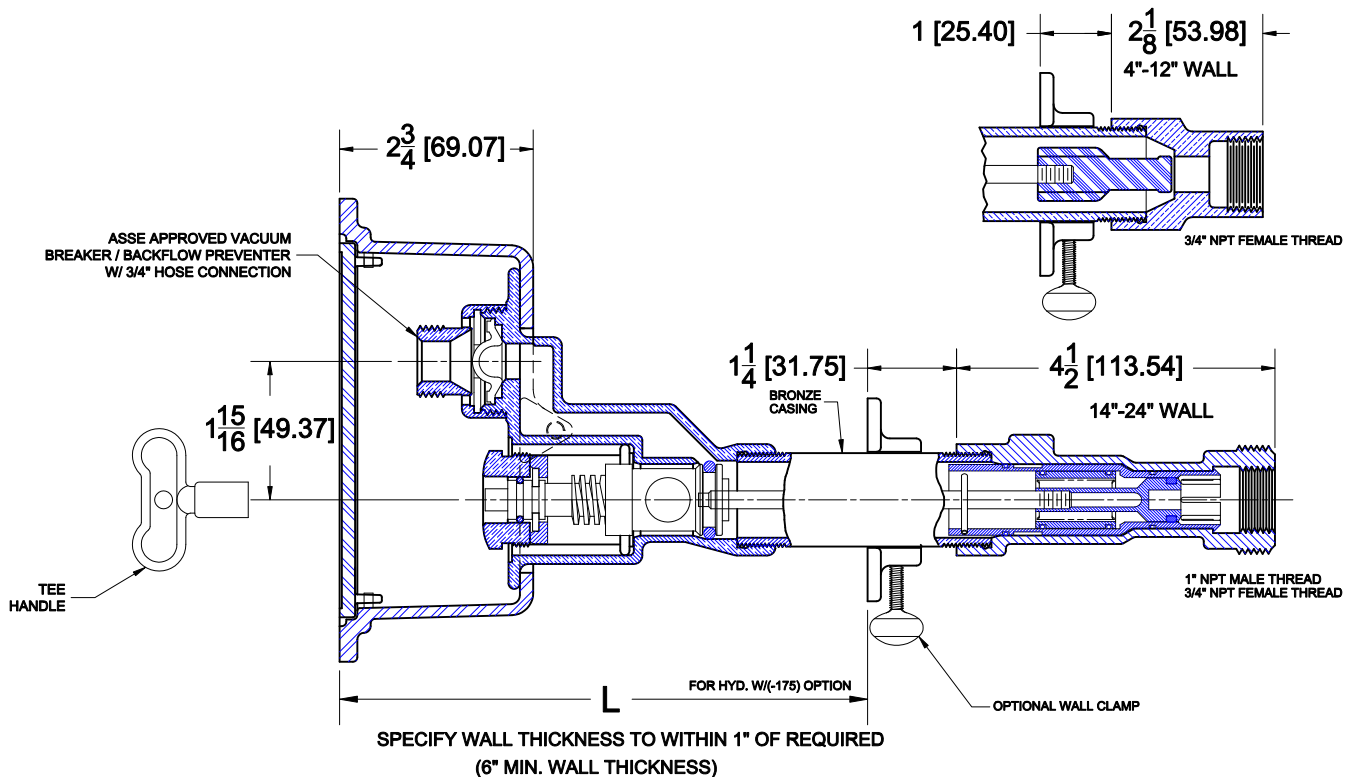
WALL HYDRANT



8600-214

3/4" NON-FREEZE WALL HYDRANT WITH STRAIGHT INLET CONNECTION, BRONZE CASING, ANTI-SIPHON BACKFLOW PREVENTER & NICKEL BRONZE HEAD AND SATIN FINISH STAINLESS STEEL BOX.

AUTOMATIC SELF-DRAINING WHEN HYDRANT IS OFF.



Cat. No.	Length (In.)	Wt. Lbs.
<input type="checkbox"/> 8600-214-L6	6" (152.4)	12.0
<input type="checkbox"/> 8600-214-L8	8" (203.2)	13.0
<input type="checkbox"/> 8600-214-L10	10" (254.0)	13.0
<input type="checkbox"/> 8600-214-L12	12" (304.8)	14.0
<input type="checkbox"/> 8600-214-L14	14" (355.6)	13.0
<input type="checkbox"/> 8600-214-L16	16" (406.4)	13.0

OPTIONS

Suffix	Description
<input type="checkbox"/> 87	WALL CLAMP
<input type="checkbox"/> 88	COPPER SWEAT CONNECTION
<input type="checkbox"/> 91	UNION ELBOW ASSEMBLY
<input type="checkbox"/> 92	KEY OPERATED LOCK

AutoCad.dwg