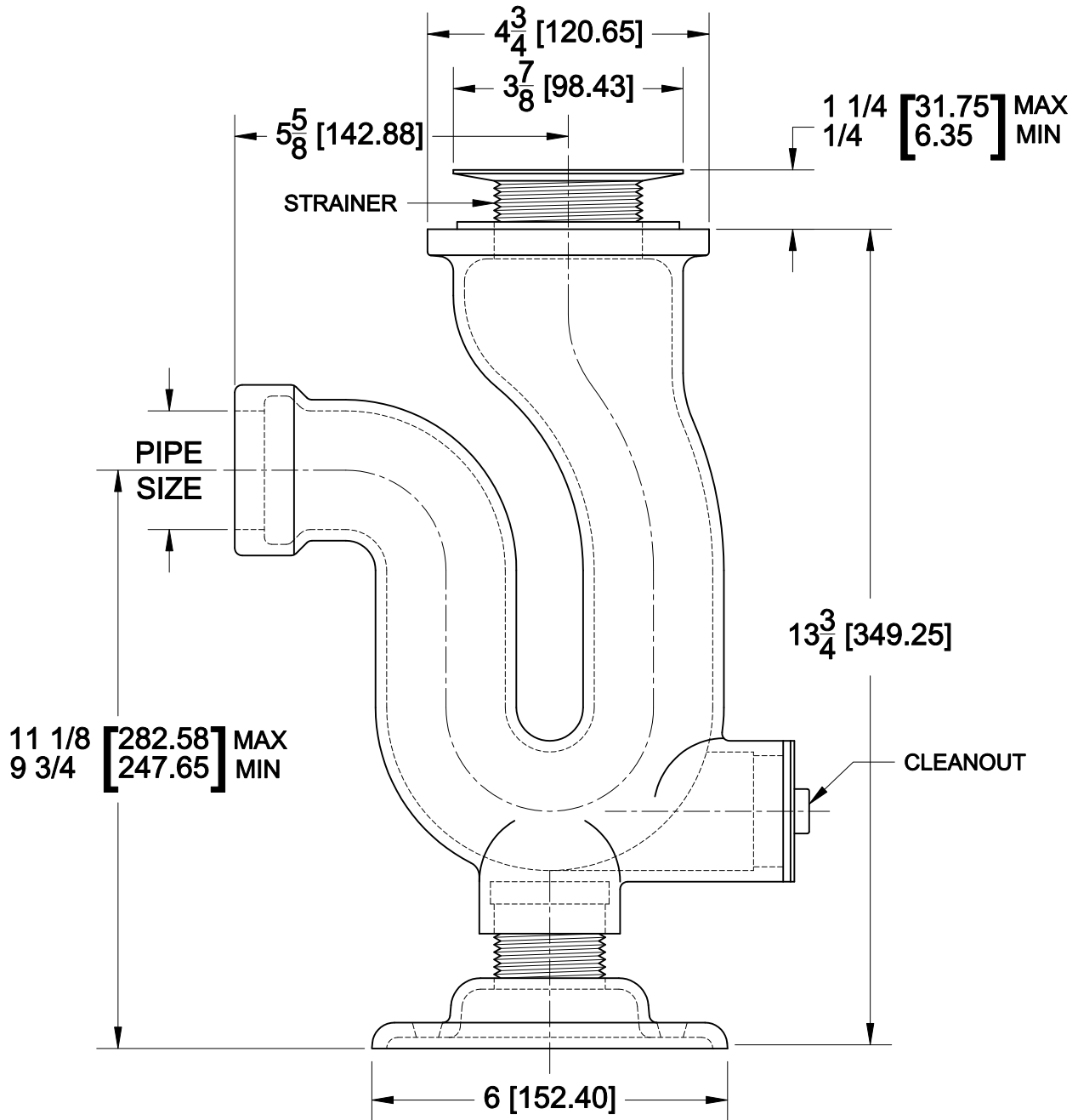


P-TRAP STANDARD



800

CAST IRON P-TRAP STANDARD FOR SERVICE SINK SUPPORT WITH ADJUSTABLE BASE FLANGE, A.R.E. COATING, CHROME PLATED STRAINER, CLEANOUT PLUG & THREADED OUTLET.



Cat. No.	Pipe Size	Wt. Lbs.
802	2 (50)	15.0
803	3 (75)	18.0