

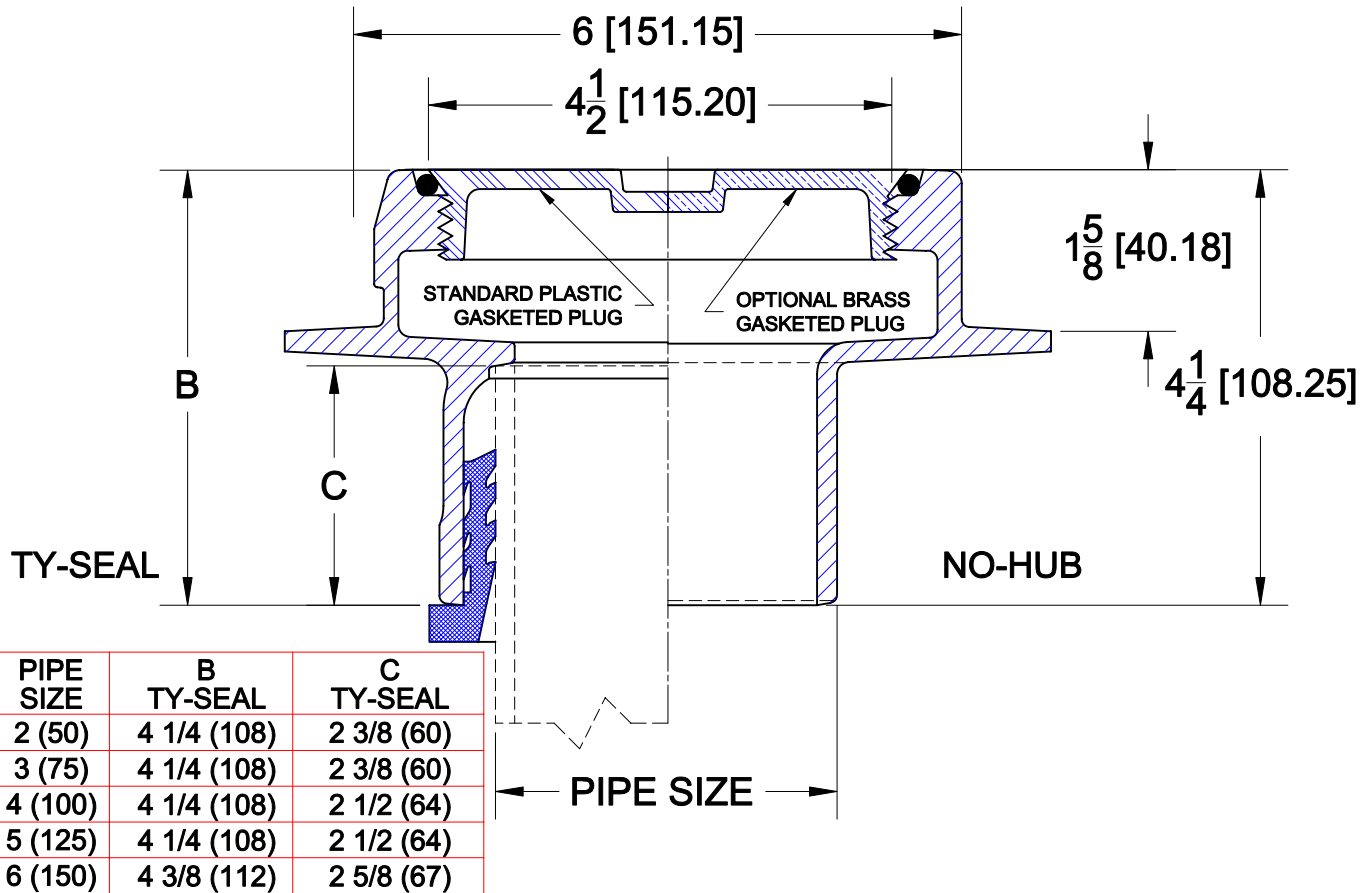
# FLOOR CLEANOUT



6000

CAST IRON FLOOR CLEANOUT WITH PLASTIC GASKETED PLUG AND BOTTOM OUTLET.

CONFORMS TO  
ASME A112.36.2M



Cat. No.	Pipe Size	Wt. Lbs.
<input type="checkbox"/> 6002	2 (50)	6.0
<input type="checkbox"/> 6003	3 (75)	6.5
<input type="checkbox"/> 6004	4 (100)	18.0
<input type="checkbox"/> 6005	5 (125)	9.0
<input type="checkbox"/> 6006	6 (150)	9.4

OPTIONS	
Suffix	Description
<input type="checkbox"/> 6IP	PUSH ON GASKET FOR SCH.40 PLASTIC PIPE
<input type="checkbox"/> 39	GALVANIZED IRN PARTS
<input type="checkbox"/> 118	BRONZE GASKETED PLUG

## OUTLETS

TY TY-SEAL     NH NO-HUB       

AutoCad.dwg