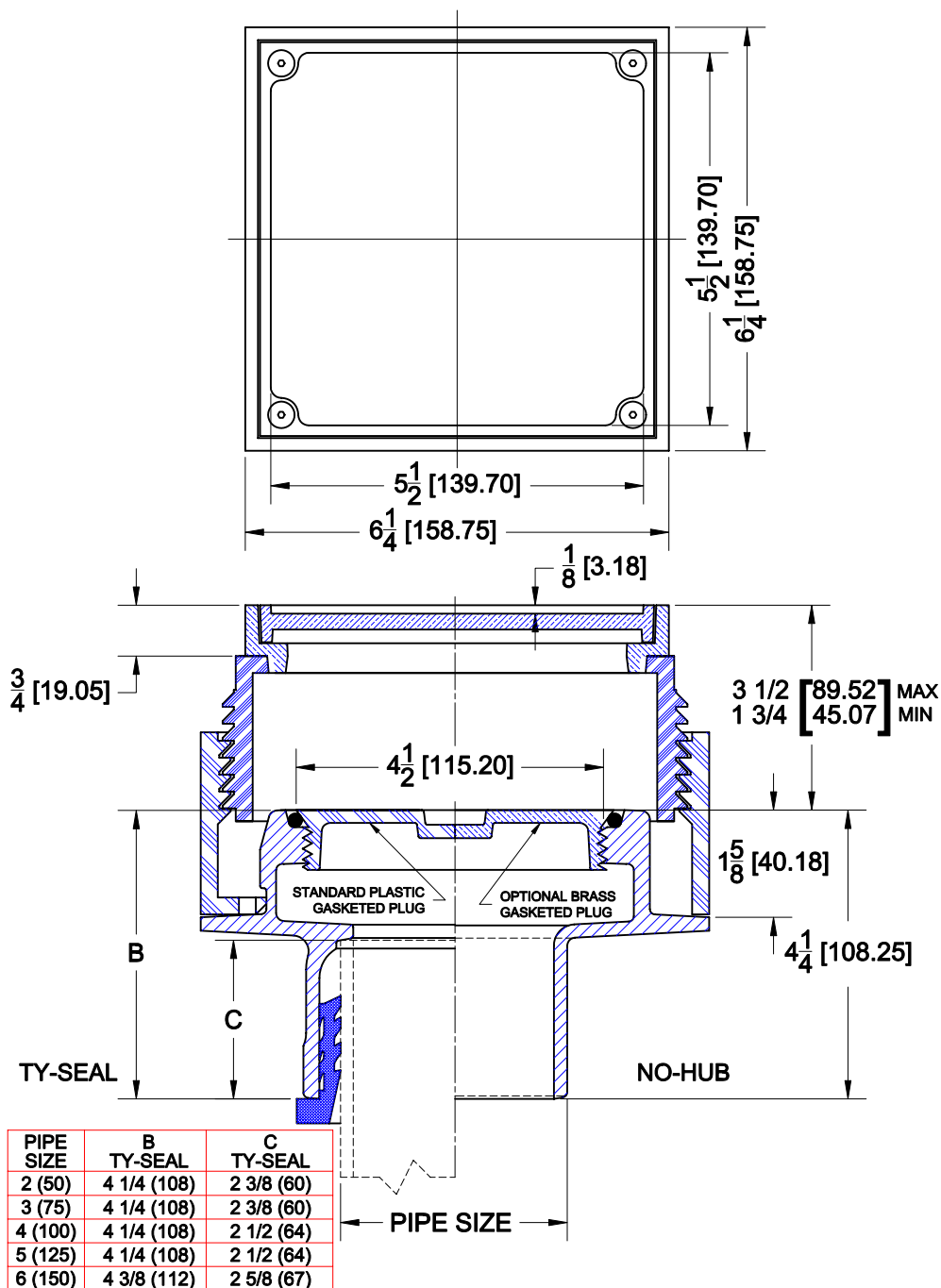


Adjustable Floor Cleanout



6000-TS

Cast iron floor cleanout w/ threaded adjustable housing, plastic gasketed plug, square nickel bronze top recessed for tile and bottom outlet.



OPTIONS

Cat. No.	Pipe Size	Wt. Lbs.	Suffix	Description
<input type="checkbox"/> 6002-TS	2 (50)	16.0	<input type="checkbox"/> 39	Galvanized Iron Parts
<input type="checkbox"/> 6003-TS	3 (75)	16.0	<input type="checkbox"/> 75	Bronze Taper Plug
<input type="checkbox"/> 6004-TS	4 (100)	16.0	<input type="checkbox"/> 118	Bronze Gasketed Plug
<input type="checkbox"/> 6005-TS	5 (125)	16.0	<input type="checkbox"/> 179	Security Screws
<input type="checkbox"/> 6006-TS	6 (150)	16.0		

OUTLETS (Suffix) Description

(NH) No-Hub (TY) Ty-Seal (Push On) (IC) Inside Caulk (2, 3, 4")

AutoCad.dwg