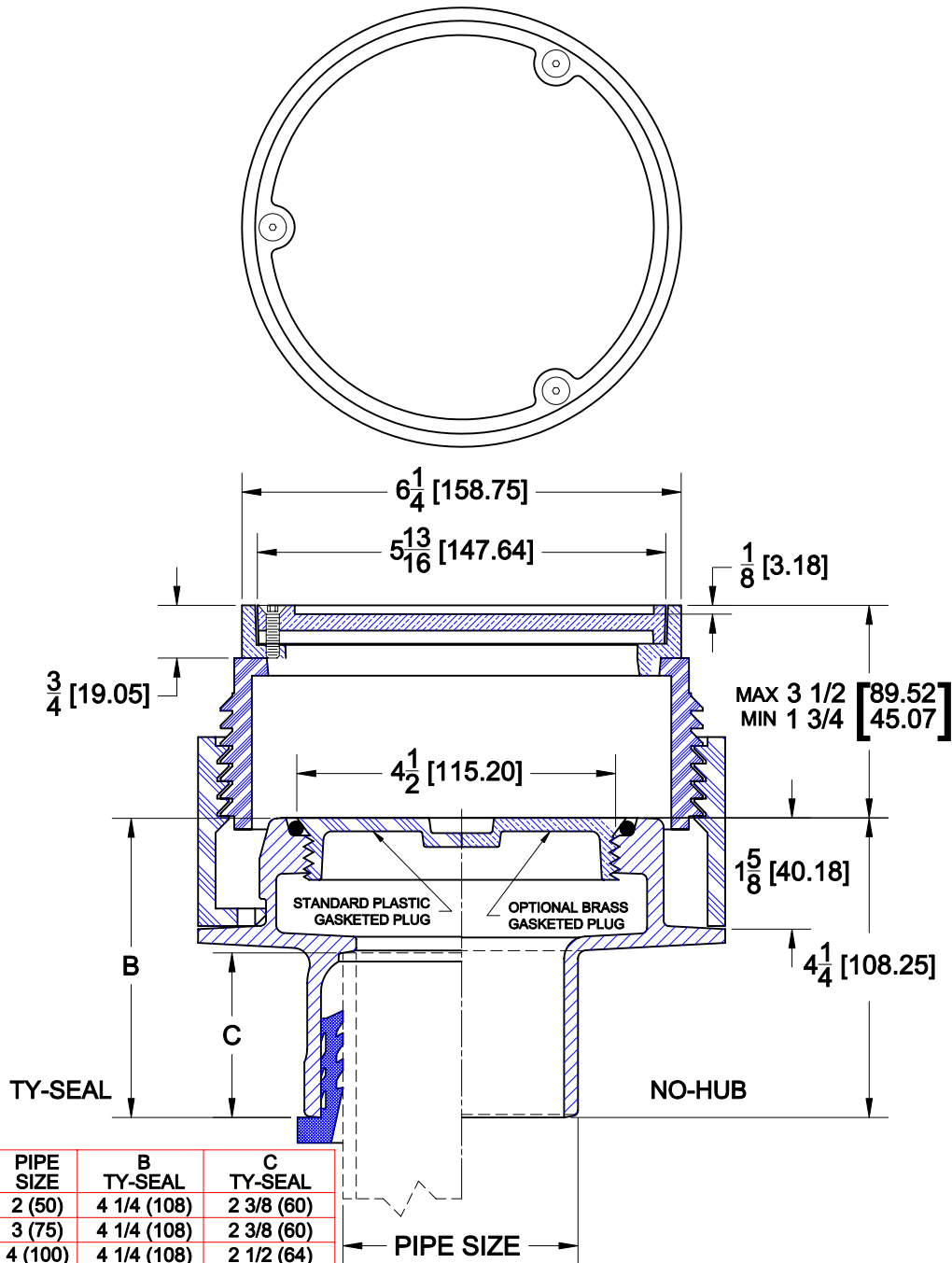


# ADJUSTABLE FLOOR CLEANOUT



6000-T

CAST IRON FLOOR CLEANOUT WITH PLASTIC ADJUSTABLE HOUSING, ROUND NICKEL BRONZE FRAME WITH SECURED COVER RECESSED FOR TILE, PLASTIC GASKETED PLUG AND BOTTOM OUTLET.



PIPE SIZE	B TY-SEAL	C TY-SEAL
2 (50)	4 1/4 (108)	2 3/8 (60)
3 (75)	4 1/4 (108)	2 3/8 (60)
4 (100)	4 1/4 (108)	2 1/2 (64)
5 (125)	4 1/4 (108)	2 1/2 (64)
6 (150)	4 3/8 (112)	2 5/8 (67)

## OPTIONS

Cat. No.	Pipe Size	Wt. Lbs.	Suffix	Description
<input type="checkbox"/> 6002-T	2 (50)	17.0	<input type="checkbox"/> 39	GALVANIZED IRON PARTS
<input type="checkbox"/> 6003-T	3 (75)	17.0	<input type="checkbox"/> 75	BRONZE PLUG
<input type="checkbox"/> 6004-T	4 (100)	18.0	<input type="checkbox"/> 118	BRONZE GASKETED PLUG
<input type="checkbox"/> 6005-T	5 (125)	19.0	<input type="checkbox"/> 179	SECURITY SCREWS
<input type="checkbox"/> 6006-T	6 (150)	21.0		

## OUTLETS

<input type="checkbox"/> TY	TY-SEAL	<input type="checkbox"/> NH	NO-HUB
-----------------------------	---------	-----------------------------	--------

AutoCad.dwg