

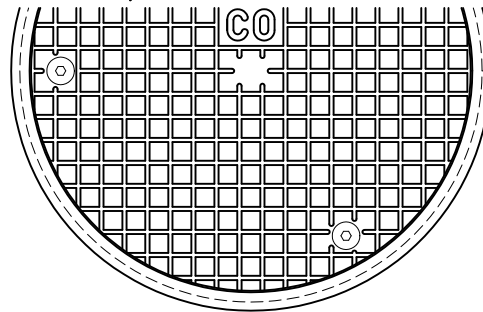
FLOOR CLEANOUT



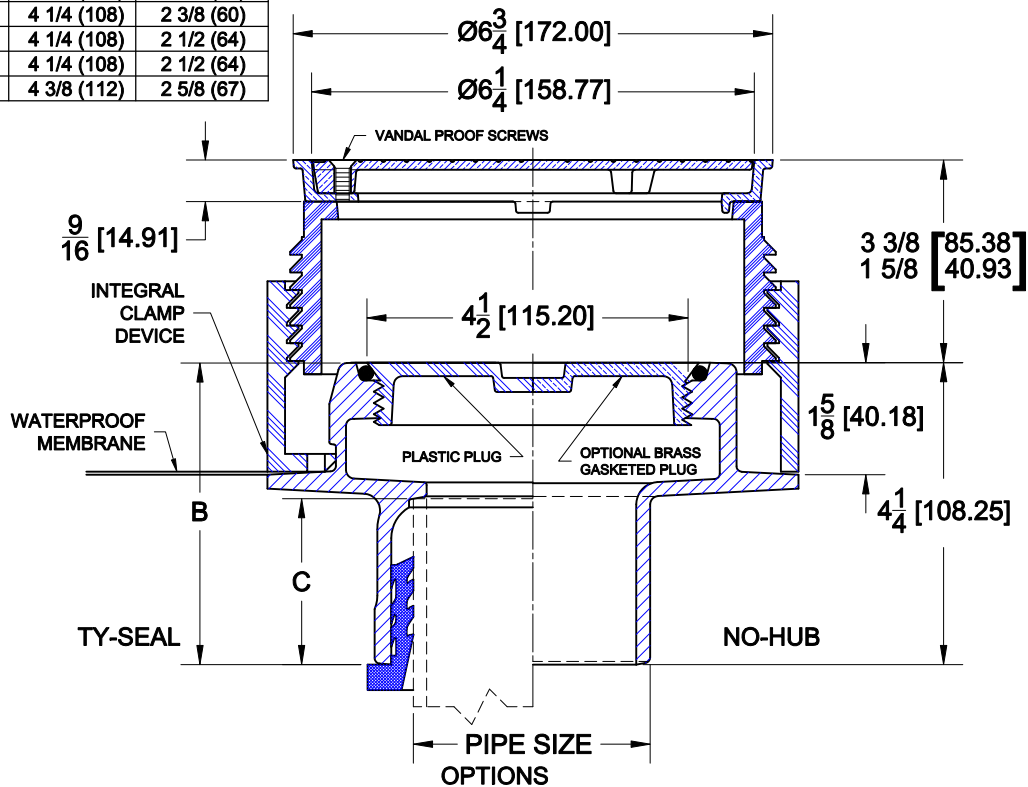
6000-STD

CAST IRON FLOOR CLEANOUT WITH ADJUSTABLE HOUSING, SATIN NICKELBRONZE SCORIATED COVER, FLASHING FLANGE, VANDAL PROOF SCREWS, PLASTIC GASKETED PLUG & BOTTOM OUTLET

CONFORMS TO
ASME A112.36.2M



PIPE SIZE	B TY-SEAL	C TY-SEAL
2 (50)	4 1/4 (108)	2 3/8 (60)
3 (75)	4 1/4 (108)	2 3/8 (60)
4 (100)	4 1/4 (108)	2 1/2 (64)
5 (125)	4 1/4 (108)	2 1/2 (64)
6 (150)	4 3/8 (112)	2 5/8 (67)



Cat. No.	Pipe Size	Wt. Lbs.	Suffix	Description
<input type="checkbox"/> 6002-STD	2 (50)	16.0	<input type="checkbox"/> 6IP	PUSH ON GASKET FOR SCH.40 PLASTIC PIPE
<input type="checkbox"/> 6003-STD	3 (75)	17.0	<input type="checkbox"/> 39	GALVANIZED IRON PARTS
<input type="checkbox"/> 6004-STD	4 (100)	18.0	<input type="checkbox"/> 118	BRONZE GASKETED PLUG
<input type="checkbox"/> 6005-STD	5 (125)	19.0	<input type="checkbox"/> 179	SECURITY SCREWS (PIN ALLEN)
<input type="checkbox"/> 6006-STD	6 (150)	21.0	<input type="checkbox"/> 230	SECURITY SCREWS (PIN TORX)

TOP VARIATIONS

Suffix	Description	Load Class
<input type="checkbox"/> CF	CARPET FLANGE	LD
<input type="checkbox"/> CM	CARPET MARKER	LD
<input type="checkbox"/> D	WIDE FLANGE	HD
<input type="checkbox"/> S	SQUARE TOP	LD
<input type="checkbox"/> T	TILE TOP (ROUND)	LD
<input type="checkbox"/> TS	TILE TOP (SQUARE)	LD

TOP VARIATIONS

Suffix	Description	Load Class
<input type="checkbox"/> D	WIDE FLANGE	HD
<input type="checkbox"/> S	SQUARE TOP	LD
<input type="checkbox"/> U	TERRAZZO TOP (ROUND)	LD
<input type="checkbox"/> US	TERRAZZO TOP (SQUARE)	LD
<input type="checkbox"/> X	HEAVY DUTY TOP (ROUND)	HD
<input type="checkbox"/> XS	HEAVY DUTY TOP (SQUARE)	HD

OUTLETS

<input type="checkbox"/> TY	TY-SEAL	<input type="checkbox"/> NH	NO-HUB	<input type="checkbox"/>	<input type="checkbox"/>
-----------------------------	---------	-----------------------------	--------	--------------------------	--------------------------

AutoCad.dwg