

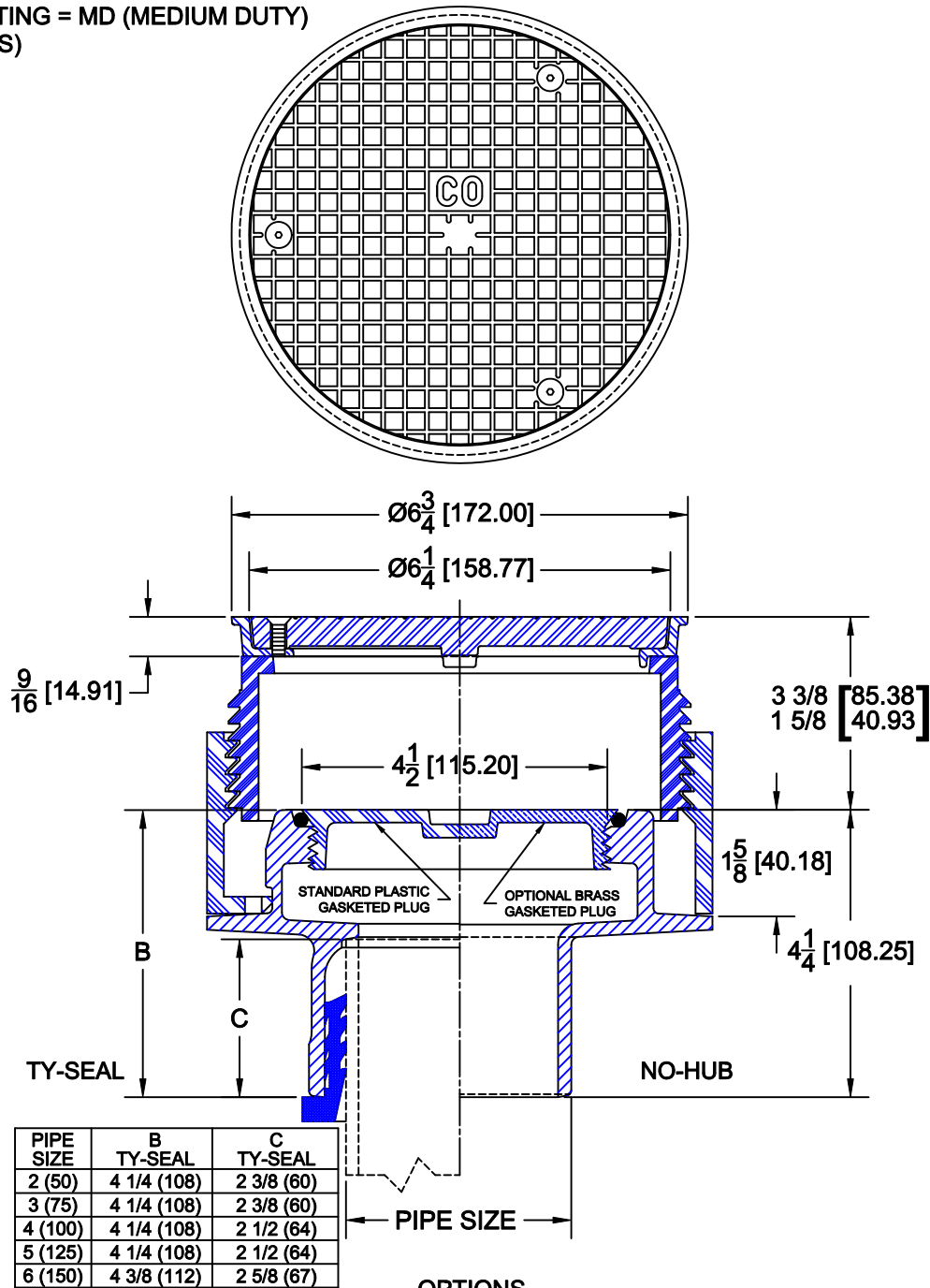
# Floor Cleanout



## 6000-STD-SS

FLOOR CLEANOUT WITH PLASTIC ADJUSTABLE HOUSING, CAST IRON FERRULE, PLASTIC GASKETED PLUG, ANCHOR FLANGE AND STAINLESS STEEL SCORIATED TOP.

ANSI LOAD RATING = MD (MEDIUM DUTY)  
(2,000-4,999 LBS)



### OPTIONS

Cat. No.	Pipe Size	Wt. Lbs.	Suffix	Description
<input type="checkbox"/> 6002-STD-SS	2 (50)	16.0	<input type="checkbox"/> 39	Galvanized Iron Parts
<input type="checkbox"/> 6003-STD-SS	3 (75)	17.0	<input type="checkbox"/> 75	Bronze Taper Plug
<input type="checkbox"/> 6004-STD-SS	4 (100)	18.0	<input type="checkbox"/> 118	Bronze Gasketed Plug
<input type="checkbox"/> 6005-STD-SS	5 (125)	19.0	<input type="checkbox"/> 179	Security Screws
<input type="checkbox"/> 6006-STD-SS	6 (150)	21.0		

### OUTLETS

NH NO-HUB       TY TY-SEAL

AutoCad.dwg