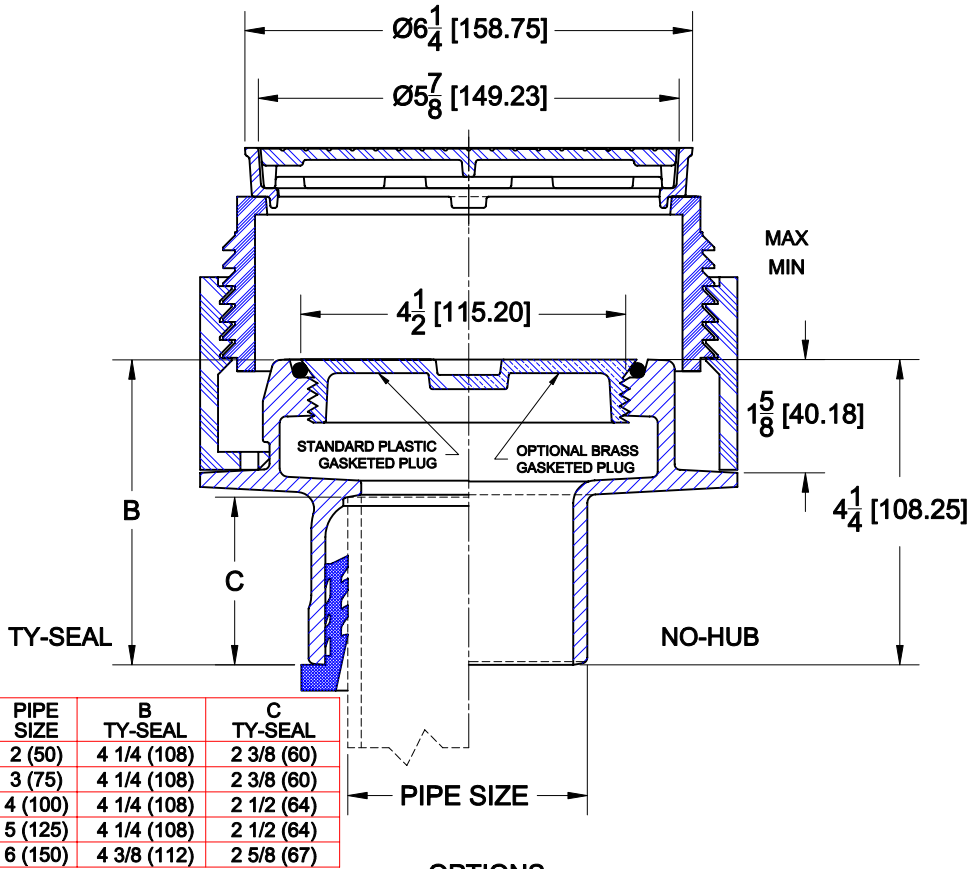
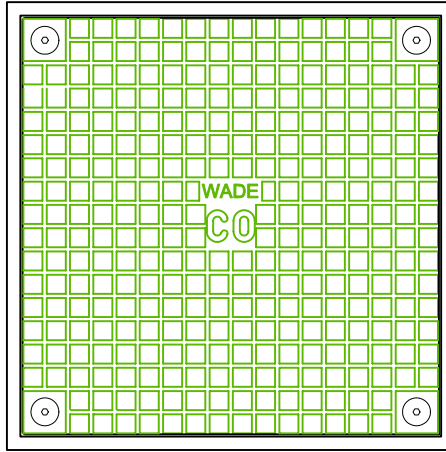


FLOOR CLEANOUT



6000-S-SS

FLOOR CLEANOUT WITH PLASTIC ADJUSTABLE HOUSING, CAST IRON FERRULE, PLASTIC GASKETED PLUG, ANCHOR FLANGE AND STAINLESS STEEL SCORIATED SQUARE TOP.



OPTIONS

Cat. No.	Pipe Size	Wt. Lbs.	Suffix	Description
<input type="checkbox"/> 6002-S-SS	2 (50)	16.0	<input type="checkbox"/> 39	GALVANIZED IRON PARTS
<input type="checkbox"/> 6003-S-SS	3 (75)	17.0	<input type="checkbox"/> 75	BRONZE PLUG
<input type="checkbox"/> 6004-S-SS	4 (100)	18.0	<input type="checkbox"/> 118	BRONZE GASKETED PLUG
<input type="checkbox"/> 6005-S-SS	5 (125)	19.0	<input type="checkbox"/> 179	SECURITY SCREWS
<input type="checkbox"/> 6006-S-SS	6 (150)	21.0		

OUTLETS

NH NO-HUB TY TY-SEAL

AutoCad.dwg