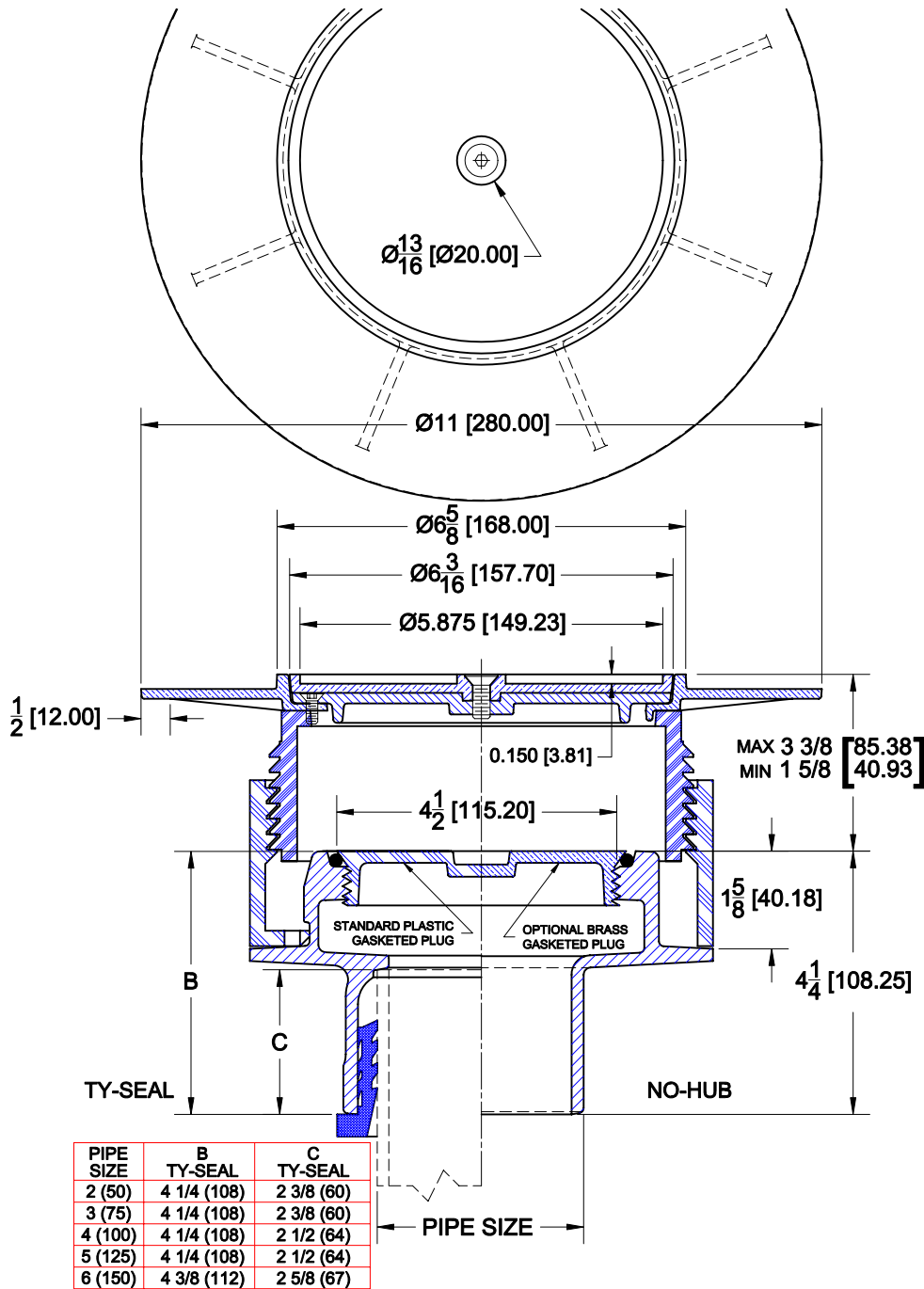


# Adjustable Floor Cleanout



## 6000-DT

Cast iron floor cleanout with adjustable housing, round nickel brass frame with wide flange and secured cover recessed for tile. Plastic gasketed plug standard.



### OPTIONS

Cat. No.	Pipe Size	Wt. Lbs.	Suffix	Description
<input type="checkbox"/> 6002-DT	2 (50)	17.0	<input type="checkbox"/> 39	Galvanized Iron Parts
<input type="checkbox"/> 6003-DT	3 (75)	17.0	<input type="checkbox"/> 75	Bronze Taper Plug
<input type="checkbox"/> 6004-DT	4 (100)	18.0	<input type="checkbox"/> 118	Bronze Gasketed Plug
<input type="checkbox"/> 6005-DT	5 (125)	19.0		
<input type="checkbox"/> 6006-DT	6 (150)	21.0		

### OUTLETS

<input type="checkbox"/> NH	No-Hub	<input type="checkbox"/> TY	Ty-Seal	<input type="checkbox"/> IC	Inside Caulk (2-4" Only)
-----------------------------	--------	-----------------------------	---------	-----------------------------	--------------------------

AutoCad.dwg