

# Floor Cleanout



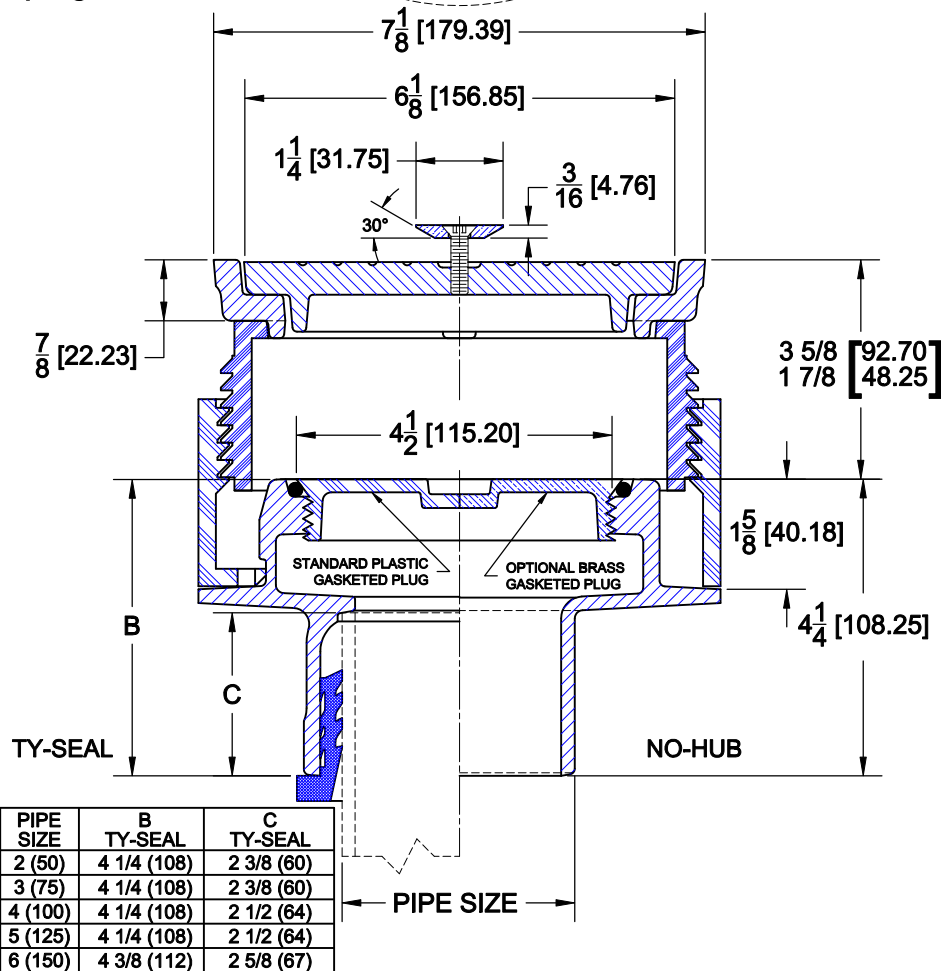
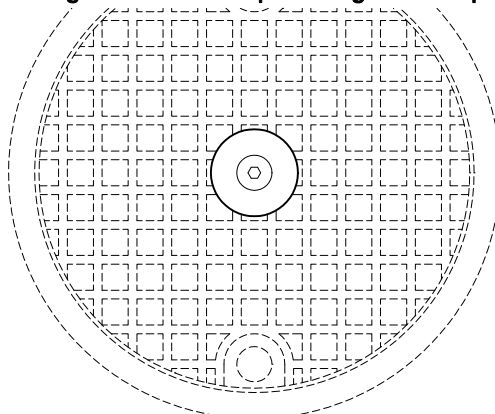
## 6000-CM

Cast iron floor cleanout with adjustable housing, cast iron frame, scoriated ductile iron secured tractor cover, aluminum vandal proof button for indicating C.O. under carpet and gasketed plastic plug.

CONFORMS TO  
ASME A112.36.2M

### Note:

This unit is designed to accept a Carpet Flange replacement if the carpet must be cut to gain access to the cleanout plug.



### OPTIONS

Cat. No.	Pipe Size	Wt. Lbs.	Suffix	Description
<input type="checkbox"/> 6002-CM	2 (50)	16.0	<input type="checkbox"/> CF	Satin Finish Nickel Bronze Carpet Flange
<input type="checkbox"/> 6003-CM	3 (75)	17.0	<input type="checkbox"/> 39	Galvanized Iron Parts
<input type="checkbox"/> 6004-CM	4 (100)	18.0	<input type="checkbox"/> 118	Bronze Gasketed Plug
<input type="checkbox"/> 6005-CM	5 (125)	19.0		
<input type="checkbox"/> 6006-CM	6 (150)	21.0		

### OUTLETS

<input type="checkbox"/> TY	TY-SEAL	<input type="checkbox"/> NH	NO-HUB	<input type="checkbox"/> IC	INSIDE CAULK	<input type="checkbox"/>
-----------------------------	---------	-----------------------------	--------	-----------------------------	--------------	--------------------------

AutoCad.dwg