

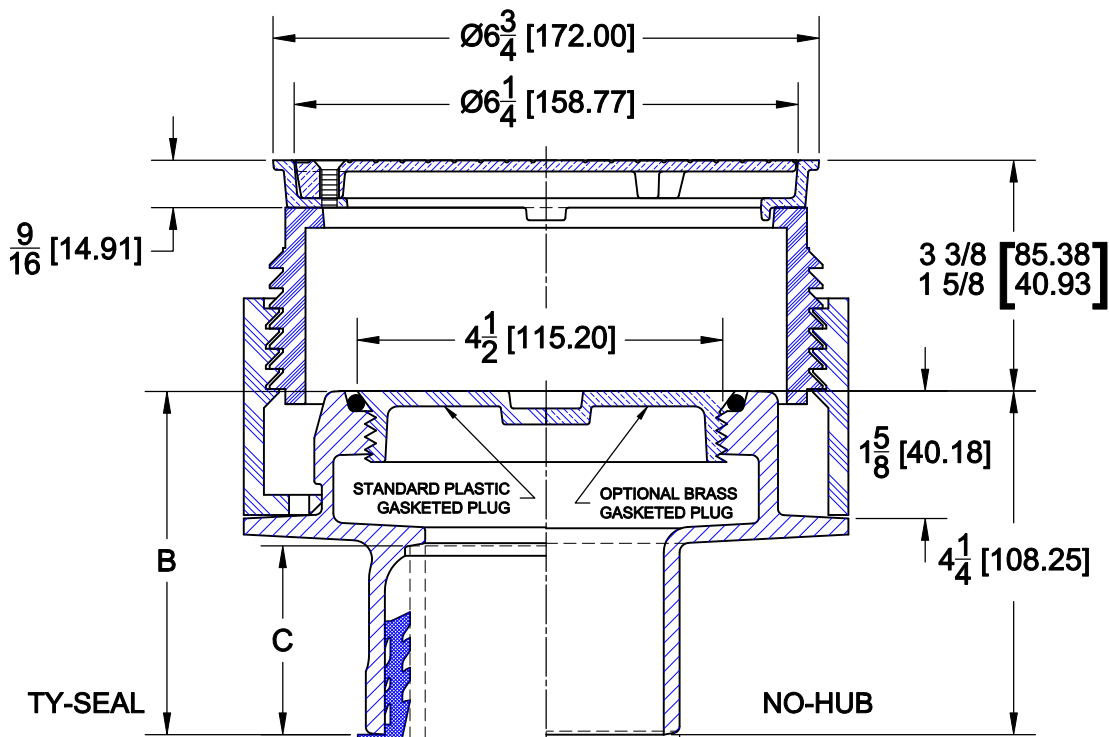
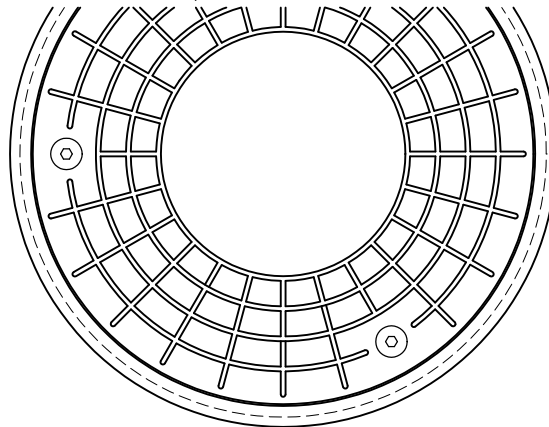
# FLOOR CLEANOUT



6000-B-1

CAST IRON FLOOR CLEANOUT WITH ADJUSTABLE HOUSING, SATIN NICKEL BRONZE SCORIATED COVER WITH BLANK CENTER FOR ENGRAVED LOGO, PLASTIC GASKETED PLUG & BOTTOM OUTLET

CONFORMS TO  
ASME A112.36.2M



PIPE SIZE	B TY-SEAL	C TY-SEAL
2 (50)	4 1/4 (108)	2 3/8 (60)
3 (75)	4 1/4 (108)	2 3/8 (60)
4 (100)	4 1/4 (108)	2 1/2 (64)
5 (125)	4 1/4 (108)	2 1/2 (64)
6 (150)	4 3/8 (112)	2 5/8 (67)

### OPTIONS

Cat. No.	Pipe Size	Wt. Lbs.	Suffix	Description
<input type="checkbox"/> 6002-B-1	2 (50)	16.0	<input type="checkbox"/> 6IP	PUSH ON GASKET FOR SCH.40 PLASTIC PIPE
<input type="checkbox"/> 6003-B-1	3 (75)	17.0	<input type="checkbox"/> 39	GALVANIZED IRN PARTS
<input type="checkbox"/> 6004-B-1	4 (100)	18.0	<input type="checkbox"/> 118	BRONZE GASKETED PLUG
<input type="checkbox"/> 6005-B-1	5 (125)	19.0	<input type="checkbox"/> 179	SECURITY SCREWS
<input type="checkbox"/> 6006-B-1	6 (150)	21.0		

### OUTLETS

<input type="checkbox"/> TY	<input type="checkbox"/> TY-SEAL	<input type="checkbox"/> NH	<input type="checkbox"/> NO-HUB	<input type="checkbox"/>	<input type="checkbox"/>
-----------------------------	----------------------------------	-----------------------------	---------------------------------	--------------------------	--------------------------

AutoCad.dwg