

WALL SUPPORT CARRIER



Approval Date

471

FIXTURE

WALL SUPPORT CARRIER WITH SUPPORT HARDWARE.

Manufacturer _____

Name _____ No. _____

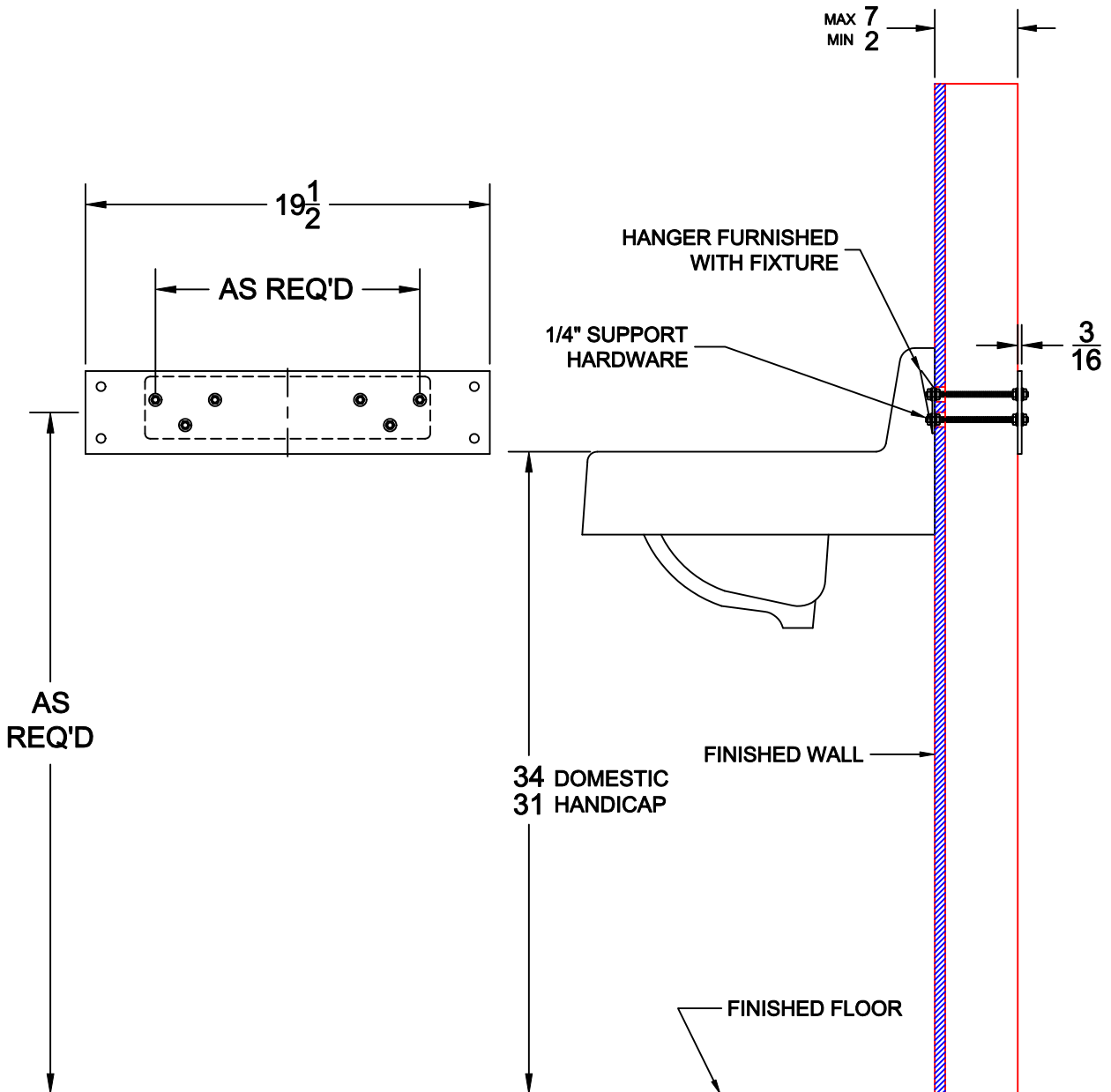
Style _____

Customer Approval

Wade Division / Tyler Pipe Assumes No Responsibility For Superseded or Voided Data

Job Location

Dimensional Data (Inches/mm) are Subject to Manufacturers Tolerance and Change Without Notice.



Cat. No.	Type	Wt. Lbs.
471	SGL	7.0

NOTE: CONTRACTOR MUST VERIFY DIMENSIONS WITH FIXTURE MANUFACTURER ROUGH-IN DATA
 TYLER PIPE / WADE DIVISION ACCEPTS NO RESPONSIBILITY FOR ANY INACCURACIES IN DRAWING

AutoCad.dwg