

WALL SUPPORT CARRIER



Approval Date

Customer Approval

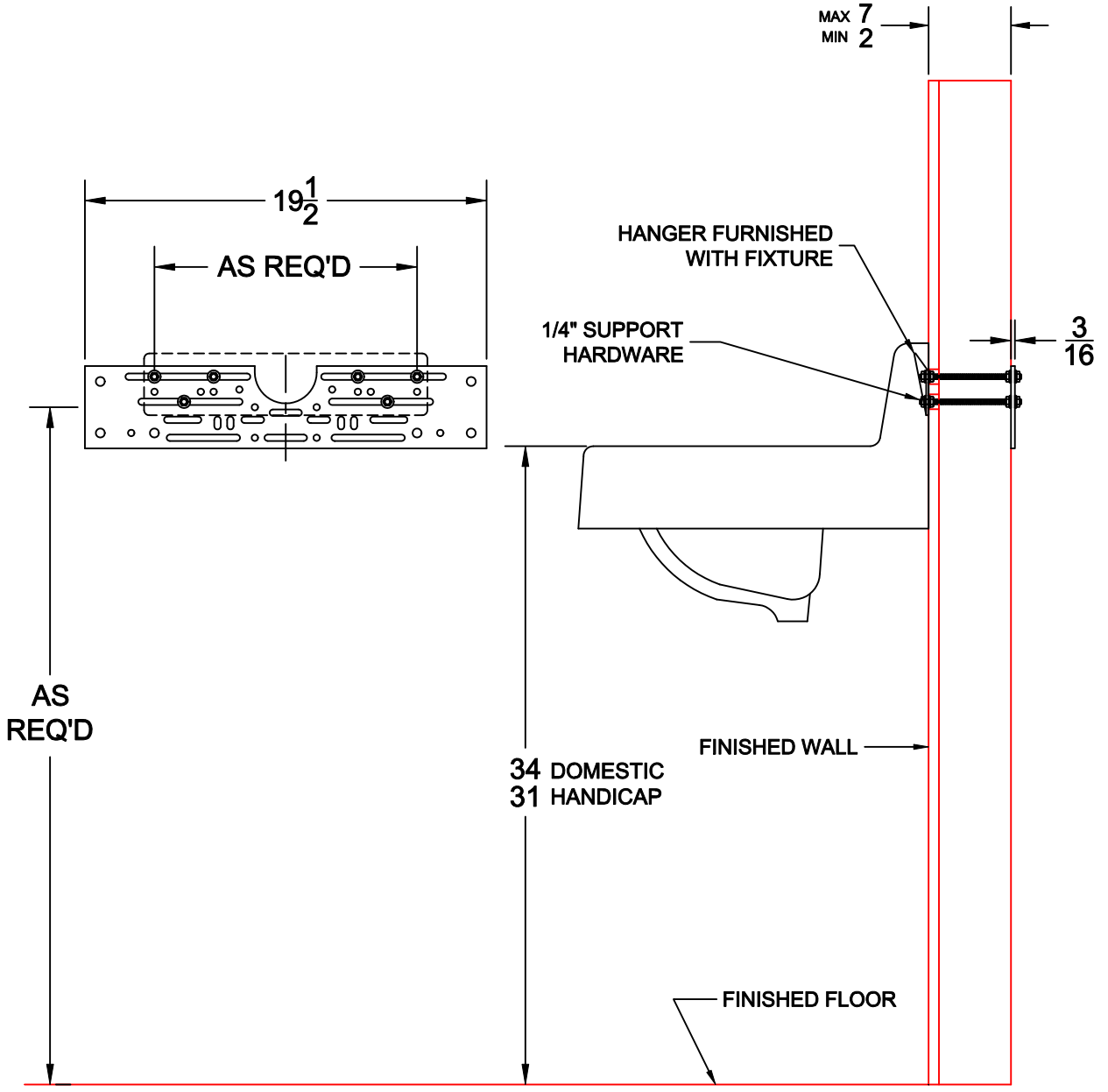
Job Location

Job Name

Dimensional Data (Inches/mm) are Subject to Manufacturers Tolerance and Change Without Notice. Wade Division / Tyler Pipe Assumes No Responsibility For Superseded or Voided Data

461
 UNIVERSAL WALL SUPPORT CARRIER
 WITH SUPPORT HARDWARE.

FIXTURE
 Manufacturer _____
 Name _____ No. _____
 Style _____



Cat. No.	Type	Wt. Lbs.
461	SGL	7.0

NOTE: CONTRACTOR MUST VERIFY DIMENSIONS WITH FIXTURE MANUFACTURER ROUGH-IN DATA
 TYLER PIPE / WADE DIVISION ACCEPTS NO RESPONSIBILITY FOR ANY INACCURACIES IN DRAWING

AutoCad.dwg