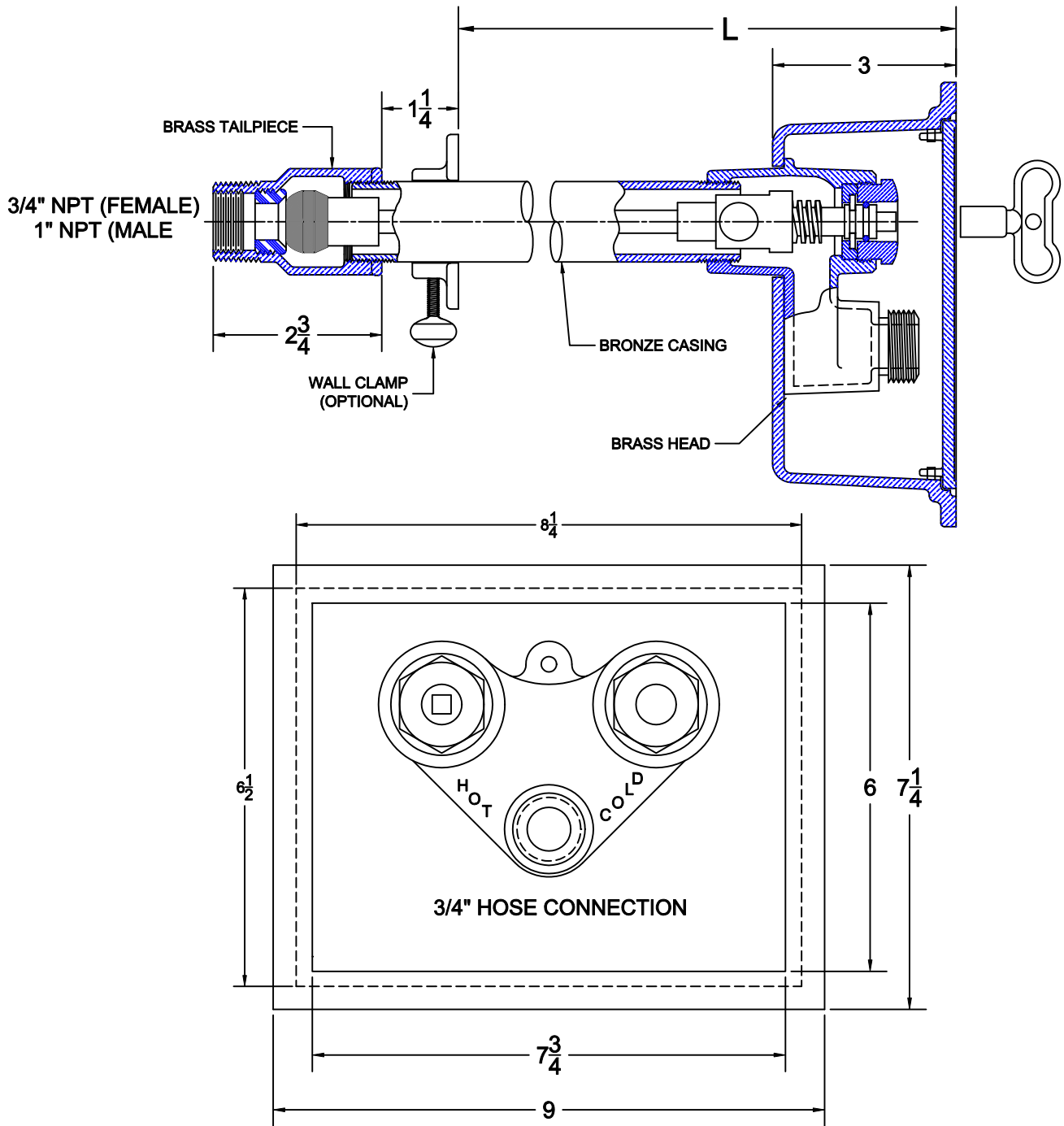


WALL HYDRANT



8606-HC

NON-FREEZE WALL HYDRANT W/ 3/4" NPT INLET, BRONZE CASING, NICKEL BRONZE BOX W/ HINGED LID, HOT & COLD VALVES, NYLON SEAT, NEOPRENE PLUNGER AND 3/4" HOSE CONNECTION.



CATALOG NUMBER	WALL "L" DIMENSION	WEIGHT (LBS)
<input type="checkbox"/> 8606-HC-L4	4"	17.0
<input type="checkbox"/> 8606-HC-L6	6"	16.0
<input type="checkbox"/> 8606-HC-L8	8"	18.0
<input type="checkbox"/> 8606-HC-L10	10"	20.0
<input type="checkbox"/> 8606-HC-L12	12"	22.0
<input type="checkbox"/> 8606-HC-L14	14"	24.0

OPTIONS

Suffix	Description
<input type="checkbox"/> 87	WALL CLAMP
<input type="checkbox"/> 88	COPPER SWEAT CONNECTION
<input type="checkbox"/> 89	VACUUM BREAKER W/ 5" DEEP BOX
<input type="checkbox"/> 91	UNION ELBOW ASSEMBLY

AutoCad.dwg