

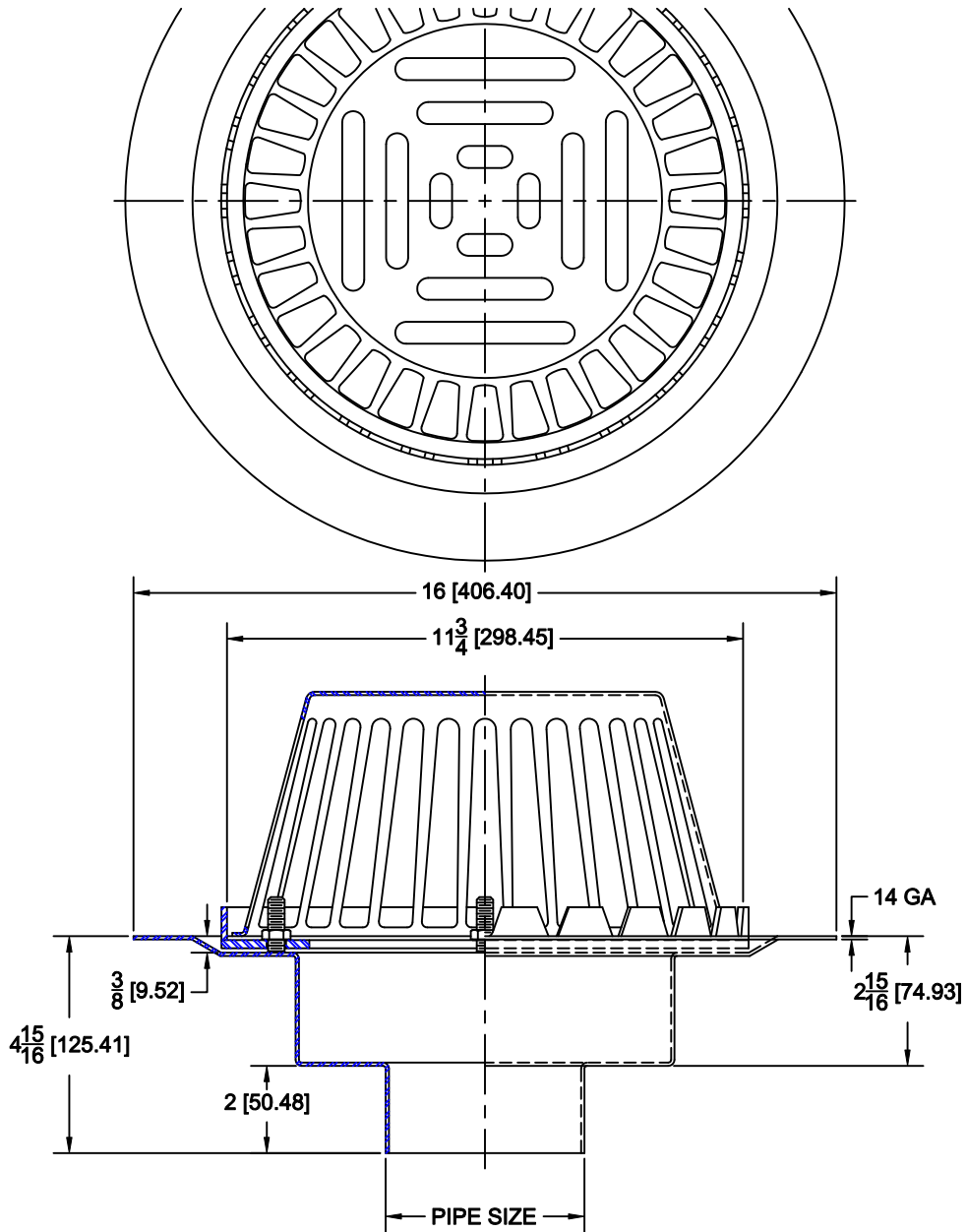
# MAIN ROOF DRAIN



3000-SS

304 STAINLESS STEEL MAIN ROOF DRAIN WITH FLASHING CLAMP, DOME STRAINER & NO-HUB BOTTOM OUTLET.

Approval Date  
 Customer Approval  
 Job Location  
 Job Name  
 Dimensional Data ( Inches/mm) are Subject to Manufacturers Tolerance and Change Without Notice.  
 Wade Division / Tyler Pipe Assumes No Responsibility For Superseded or Voided Data



### OPTIONS

Cat. No.	Pipe Size	Wt. Lbs.	Suffix	Description
<input type="checkbox"/> 3002-SS	2 ( 50)	6.0	<input type="checkbox"/> 5	VANDAP PROOF DOME
<input type="checkbox"/> 3003-SS	3 ( 75)	6.0	<input type="checkbox"/> 53	UNDERDECK CLAMP
<input type="checkbox"/> 3004-SS	4 ( 100)	6.5	<input type="checkbox"/> 316	TYPE 316 STAINLESS STEEL
<input type="checkbox"/> 3006-SS	6 ( 150)	6.5	<input type="checkbox"/> D	2" HIGH WATER DAM