

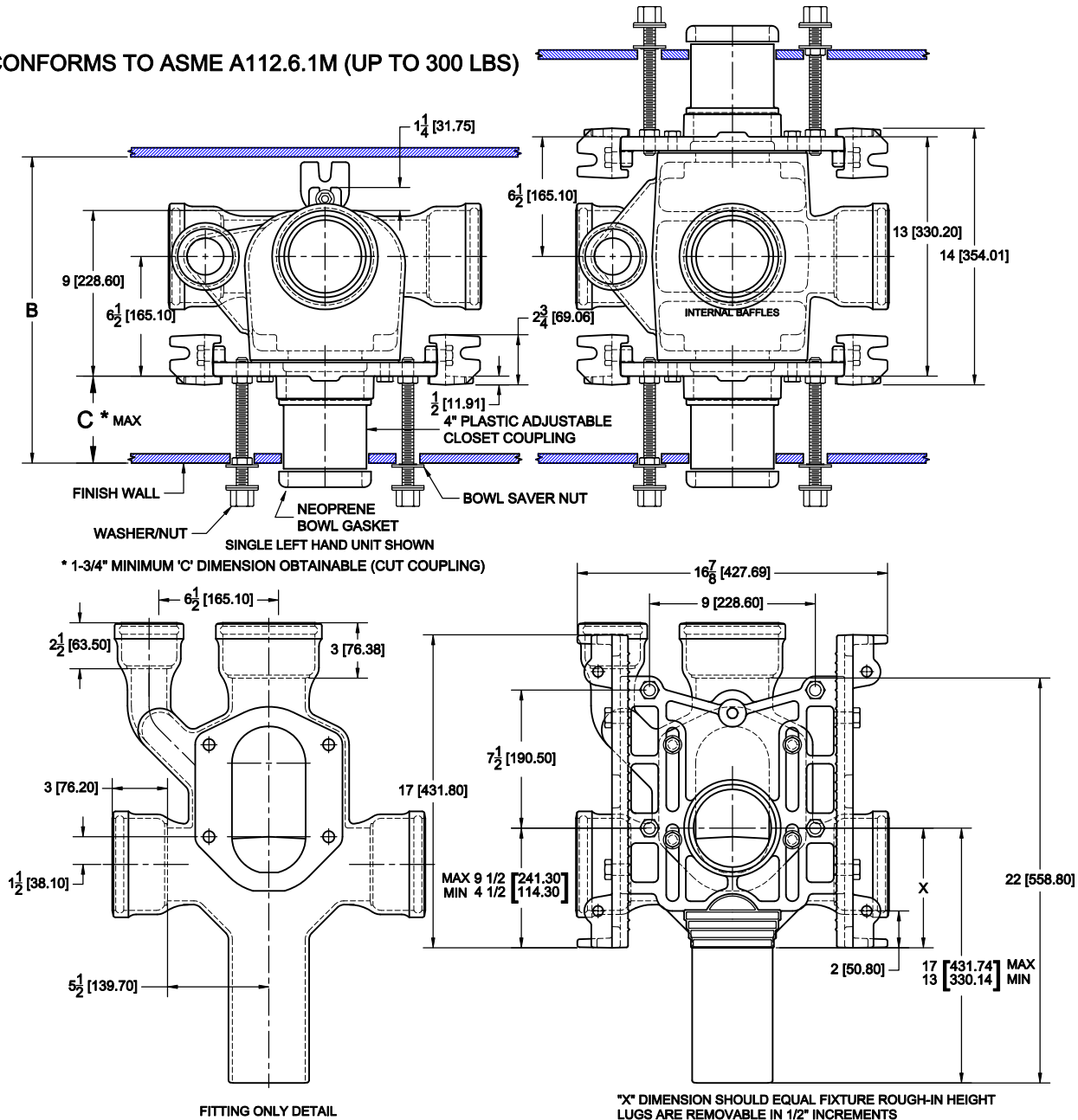
CLOSET CARRIER



340-A SERIES (SV HUB & SPIGOT)

ADJUSTABLE VERTICAL WATER CLOSET CARRIER WITH CAST IRON LEFT HAND, RIGHT HAND OR DOUBLE MAIN FITTING WITH 4"WASTE AND 2" VENT, 4" SIDE INLETS, ADJUSTABLE GASKETED FACEPLATE, UNIVERSAL FLOOR MOUNTED FOOT SUPPORTS, ABS COUPLING WITH INTEGRAL TEST CAP, FIXTURE SUPPORT STUDS, CHROME PLATED CAP NUTS, STUD PROTECTORS, NEOPRENE BOWL GASKET AND REAR ANCHOR FOOT.

CONFORMS TO ASME A112.6.1M (UP TO 300 LBS)



X DIMENSION SHOULD EQUAL FIXTURE ROUGH-IN HEIGHT
LUGS ARE REMOVABLE IN 1/2" INCREMENTS

OPTIONS

Cat.No.	Wt.Lb.
<input type="checkbox"/> 340-ACL	115.0
<input type="checkbox"/> 340-ACR	115.0
<input type="checkbox"/> 340-ACD	210.0

Suffix	Description
<input type="checkbox"/> C7	COUPLING PACKAGE (6" MAX "C" DIMENSION)
<input type="checkbox"/> C11	COUPLING PACKAGE (10" MAX "C" DIMENSION)
<input type="checkbox"/> C14	COUPLING PACKAGE (13" MAX "C" DIMENSION) †
<input type="checkbox"/> C24	COUPLING PACKAGE (23" MAX "C" DIMENSION) †
<input type="checkbox"/> AM1	FLUSH VALVE PIPING SUPPORT
<input type="checkbox"/> AM4	AUXILIARY FOOT SUPPORT
<input type="checkbox"/> AB	AUXILIARY INLETS (2" NPT) BOTH SIDES

† AUXILIARY FOOT SUPPORT RECOMMENDED(AM4)

AutoCad.dwg