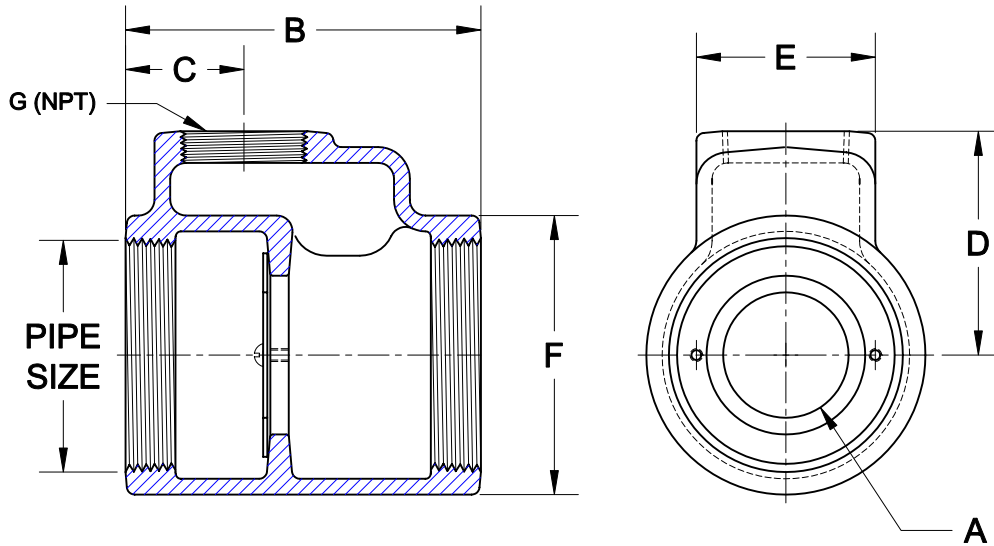


GREASE INTERCEPTOR



5000-FC

GREASE INTERCEPTOR FLOW CONTROL FITTING
WITH VENT CONNECTION



PIPE SIZE	B	C	D	E	F	G
2	4	1 1/2	2 5/8	2 3/8	3 1/4	1 1/4
3	5 1/4	1 3/4	3 5/16	2 11/16	4 1/4	1 1/2
4	6 7/8	2 3/8	4 5/16	3 1/2	5 1/4	2

MODEL NUMBER	PIPE SIZE	FLOW RATE (GPM)	ORIFICE (A)
5104-FC	2	4	.500
5107-FC	2	7	.688
5110-FC	2	10	.844
5115-FC	2	15	1.000
5120-FC	3	20	1.156
5125-FC	3	25	1.313
5135-FC	4	35	1.500
5150-FC	4	50	1.875