

Lavatory Carrier



510-NR

Exposed arm lavatory carrier with pipe uprights, welded base feet and level/lock hardware.

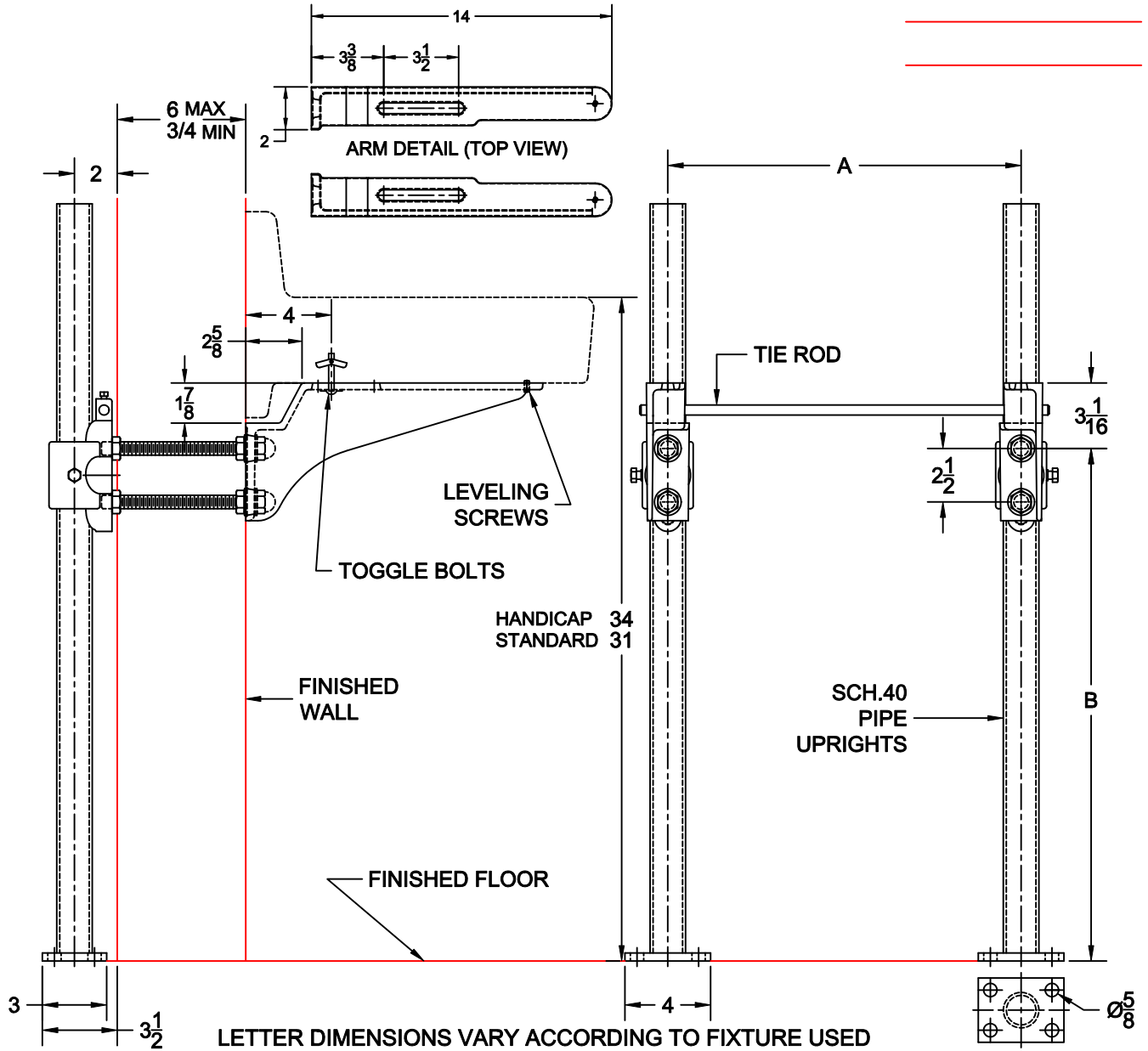
Arms - A.R.E. Coated Aluminum

FIXTURE

Manufacturer _____

Name _____ No. _____

Style _____



OPTIONS

Cat. No.	Type	Wt. Lbs.	Suffix	Description
<input type="checkbox"/> 510-NR	Single	38.0	<input type="checkbox"/> M36	Rectangular Steel Uprights
			<input type="checkbox"/>	

AutoCad.dwg