

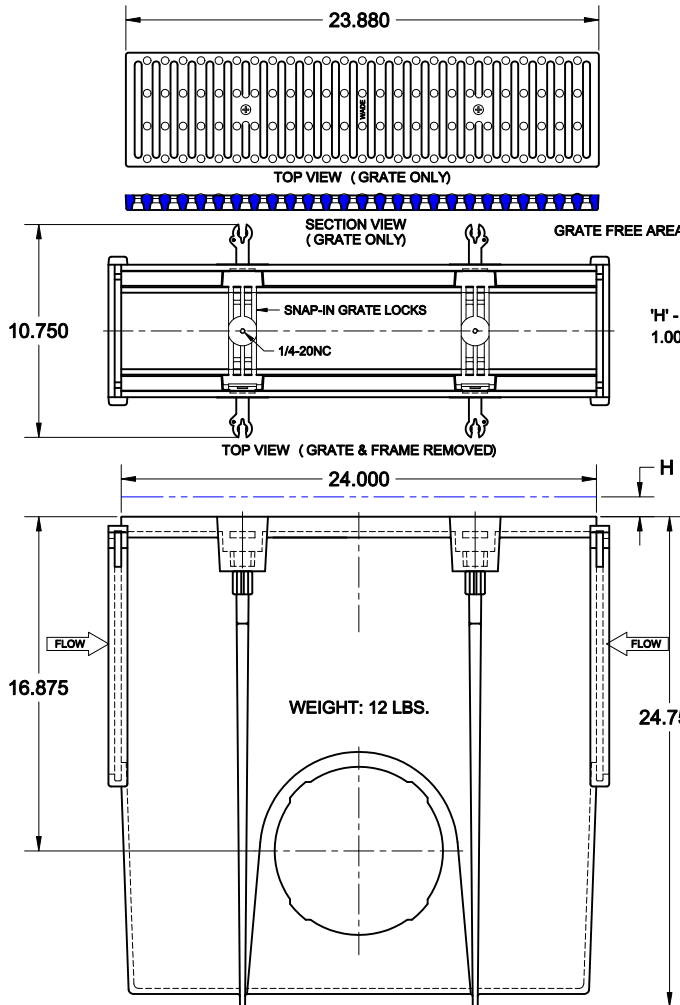
HDPE TRENCH DRAIN SYSTEM



Approval Date
 Customer Approval
 Job Location
 Job Name
 Dimensional Data (Inches/mm) are Subject to Manufacturers Tolerance and Change Without Notice. Wade Division / Tyler Pipe Assumes No Responsibility For Superseded or Voided Data

WN940-HDP

HIGH DENSITY POLYETHYLENE 6" (150) WIDE TRENCH DRAIN CATCH BASIN WITH 4" (100) THROAT, RADIUS BOTTOM, DUCTILE IRON PAINTED HIGH FLOW GRATE, LOCK DEVICES, INTEGRAL OUTLETS, REBAR SADDLES, AND BLANK GRATE INSERTS. ACCEPTS ALL TRENCH DRAIN SECTION.



NOTE: WEIGHT LISTED IS FOR TRENCH DRAIN CATCH BASIN ONLY - DUCTILE IRON GRATE WEIGHT MUST BE ADDED FOR TOTAL. WEIGHT 16 LBS EACH

**STANDARD GRATE (HDP)
DIN CLASS C, ANSI LOAD CLASS HD, H-20 RATED**

'H' - Add for Frames:
1.00" for Ductile Iron Frame

GRATES

Suffix	Description	Finish	DIN (Rating)	ANSI (Class)
CPG	PERFORATED STEEL GRATE (REINF)	GALV	Class B	MD
CSG	SLOTTED STEEL GRATE	GALV	Class A	LD
DBP	DUCTILE IRON BAR GRATE	PAINTED	Class C	HD
DCP	DUCTILE IRON DECORATIVE GRATE (CIRCULAR PATTERN)	PAINTED	Class C	HD
DDP	DUCTILE IRON DECORATIVE GRATE (DIAGONAL PATTERN)	PAINTED	Class A	LD
DHP	DUCTILE IRON SLOTTED GRATE (LONGITUDINAL PATTERN)	PAINTED	Class B	LD
DMP	DUCTILE IRON SOLID COVER	PAINTED	Class E	SD
DWP	DUCTILE IRON DECORATIVE GRATE (WAVE PATTERN)	PAINTED	Class A	LD
DXP	DUCTILE IRON SLOTTED GRATE	PAINTED	Class F	SD
DZP	DUCTILE IRON DECORATIVE GRATE (SQUARE MOSAIC PATTERN)	PAINTED	Class B	MD
FPG	STEEL PERFORATED GRATE	GALV	Class A	LD
HHP	DUCTILE IRON HIGHWAY GRATE	PAINTED	Class E	SD
HPP	DUCTILE IRON ADA SLOTTED GRATE	PAINTED	Class B	MD

CATCH BASIN IS FURNISHED WITH TWO OUTLET CONNECTIONS (ONE EACH SIDE) ONE TWIST LOCK PLUG PROVIDED. TWIST LOCK OUTLET ADAPTERS ARE OPTIONAL.

