

HDPE TRENCH DRAIN SYSTEM



Approval Date

Customer Approval

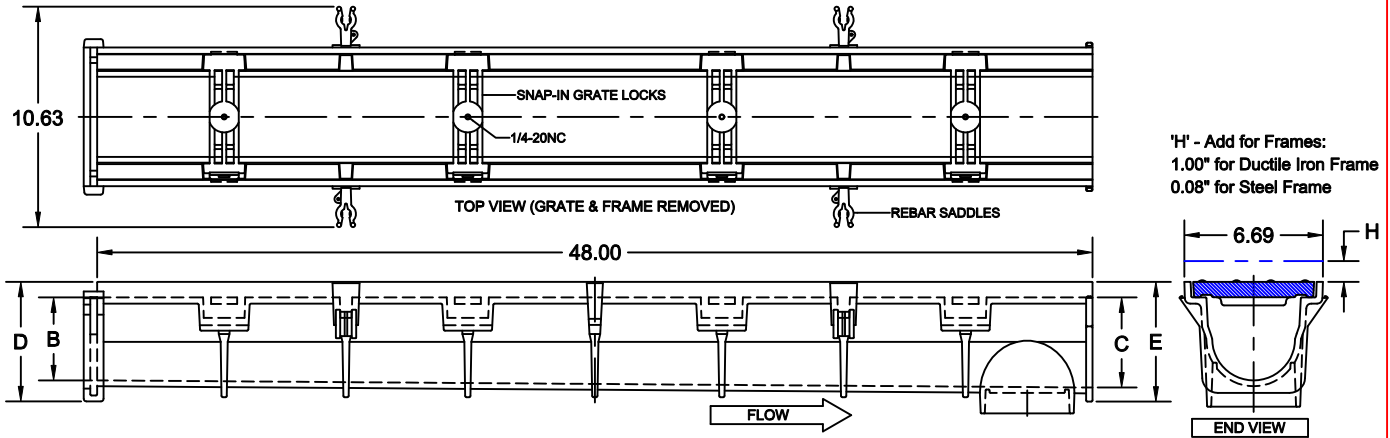
Job Location

Job Name

Wade Division / Tyler Pipe Assumes No Responsibility For Superseded or Voided Data
Wade Division / Tyler Pipe Assumes No Responsibility For Superseded or Voided Data
Dimensional Data (Inches/mm) are Subject to Manufacturers Tolerance and Change Without Notice.

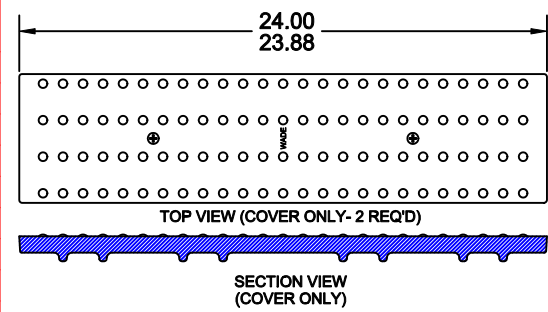
WN900__-DMP

HIGH DENSITY 6" WIDE TRENCH DRAIN WITH 4" WIDE THROAT, RADIUS BOTTOM, INTERLOCKING ENDS, INTEGRAL OUTLET, REBAR SADLES, LOCK DEVICES, BLANK GRATE INSERTS AND PAINTED DUCTILE IRON SOLID COVERS.



'H' - Add for Frames:
1.00" for Ductile Iron Frame
0.08" for Steel Frame

| CATALOG NUMBER | FLOW RATE | | DIMENSIONS (IN) | | | | WT LBS |
|----------------|-----------|-------|-----------------|--------|--------|--------|--------|
| | (GPM) | (LPM) | B | C | D | E | |
| 090N | 75 | 284 | 3.998 | 3.998 | 5.354 | 5.760 | 7.45 |
| 091 | 75 | 284 | 3.998 | 4.334 | 5.690 | 5.770 | 7.52 |
| 091N | 89 | 337 | 4.334 | 4.334 | 5.692 | 6.103 | 7.81 |
| 092 | 89 | 337 | 4.334 | 4.670 | 6.026 | 6.106 | 7.92 |
| 093 | 103 | 390 | 4.670 | 5.006 | 6.362 | 6.442 | 8.27 |
| 094 | 117 | 443 | 5.006 | 5.342 | 6.698 | 6.778 | 8.64 |
| 094N | 131 | 496 | 5.342 | 5.342 | 6.700 | 7.111 | 8.93 |
| 095 | 131 | 496 | 5.342 | 5.678 | 7.034 | 7.114 | 8.99 |
| 096 | 145 | 549 | 5.678 | 6.014 | 7.370 | 7.450 | 9.37 |
| 097 | 159 | 602 | 6.014 | 6.350 | 7.706 | 7.786 | 9.74 |
| 097N | 173 | 655 | 6.350 | 6.350 | 7.708 | 8.119 | 10.04 |
| 098 | 173 | 655 | 6.350 | 6.686 | 8.042 | 8.122 | 10.11 |
| 099 | 187 | 708 | 6.686 | 7.022 | 8.378 | 8.458 | 10.48 |
| 100 | 201 | 761 | 7.022 | 7.358 | 8.714 | 8.794 | 10.85 |
| 100N | 215 | 814 | 7.358 | 7.358 | 8.716 | 9.127 | 11.15 |
| 101 | 215 | 814 | 7.358 | 7.694 | 9.050 | 9.130 | 11.23 |
| 102 | 229 | 867 | 7.694 | 8.030 | 9.386 | 9.466 | 11.60 |
| 103 | 243 | 920 | 8.030 | 8.366 | 9.722 | 9.802 | 11.97 |
| 103N | 257 | 973 | 8.366 | 8.366 | 9.724 | 10.135 | 12.27 |
| 104 | 257 | 973 | 8.366 | 8.702 | 10.058 | 10.138 | 12.34 |
| 105 | 271 | 1026 | 8.702 | 9.038 | 10.394 | 10.474 | 12.71 |
| 106 | 285 | 1079 | 9.038 | 9.374 | 10.730 | 10.810 | 13.08 |
| 106N | 299 | 1132 | 9.374 | 9.374 | 10.732 | 11.143 | 13.38 |
| 107 | 299 | 1132 | 9.374 | 9.710 | 11.066 | 11.146 | 13.45 |
| 108 | 313 | 1185 | 9.710 | 10.046 | 11.402 | 11.482 | 13.83 |
| 109 | 327 | 1238 | 10.046 | 10.382 | 11.738 | 11.818 | 14.20 |
| 109N | 341 | 1291 | 10.382 | 10.382 | 11.740 | 12.151 | 14.50 |
| 110 | 341 | 1291 | 10.382 | 10.718 | 12.074 | 12.154 | 14.57 |
| 111 | 355 | 1344 | 10.718 | 11.054 | 12.410 | 12.490 | 14.94 |
| 112 | 368 | 1393 | 11.054 | 11.390 | 12.746 | 12.826 | 15.31 |
| 112N | 382 | 1446 | 11.390 | 11.390 | 12.785 | 13.158 | 15.61 |
| 113 | 382 | 1446 | 11.390 | 11.726 | 13.082 | 13.162 | 15.69 |
| 114 | 396 | 1499 | 11.726 | 12.062 | 13.418 | 13.498 | 16.06 |



| DIN CLASS | ASME CLASS | AASHTO H-20 | FAA RATED | ADA |
|-----------|---------------------------------|-------------|-----------|-----|
| E | SD | YES | YES | YES |
| OPTIONS | | | | |
| SUFFIX | DESCRIPTION | | | |
| DMG | GALVANIZED GRATES | | | |
| UEP | UNIVERSAL END PLATE | | | |
| US | UNIVERSAL SIDE OUTLET END PLATE | | | |
| | 2" | 3" | 4" | 6" |
| PA | PVC OUTLET ADAPTER | | | |
| | 2" | 3" | 4" | 6" |
| NH | NO-HUB OUTLET ADAPTER | | | |
| | 2" | 3" | 4" | 6" |
| DLP | PAINTED DUCTILE IRON FRAME | | | |
| DMG | GALVANIZED DUCTILE IRON FRAME | | | |
| CLP4 | PAINTED STEEL FRAME | | | |
| CLG4 | GALVANIZED STEEL FRAME | | | |

AutoCad.dwg