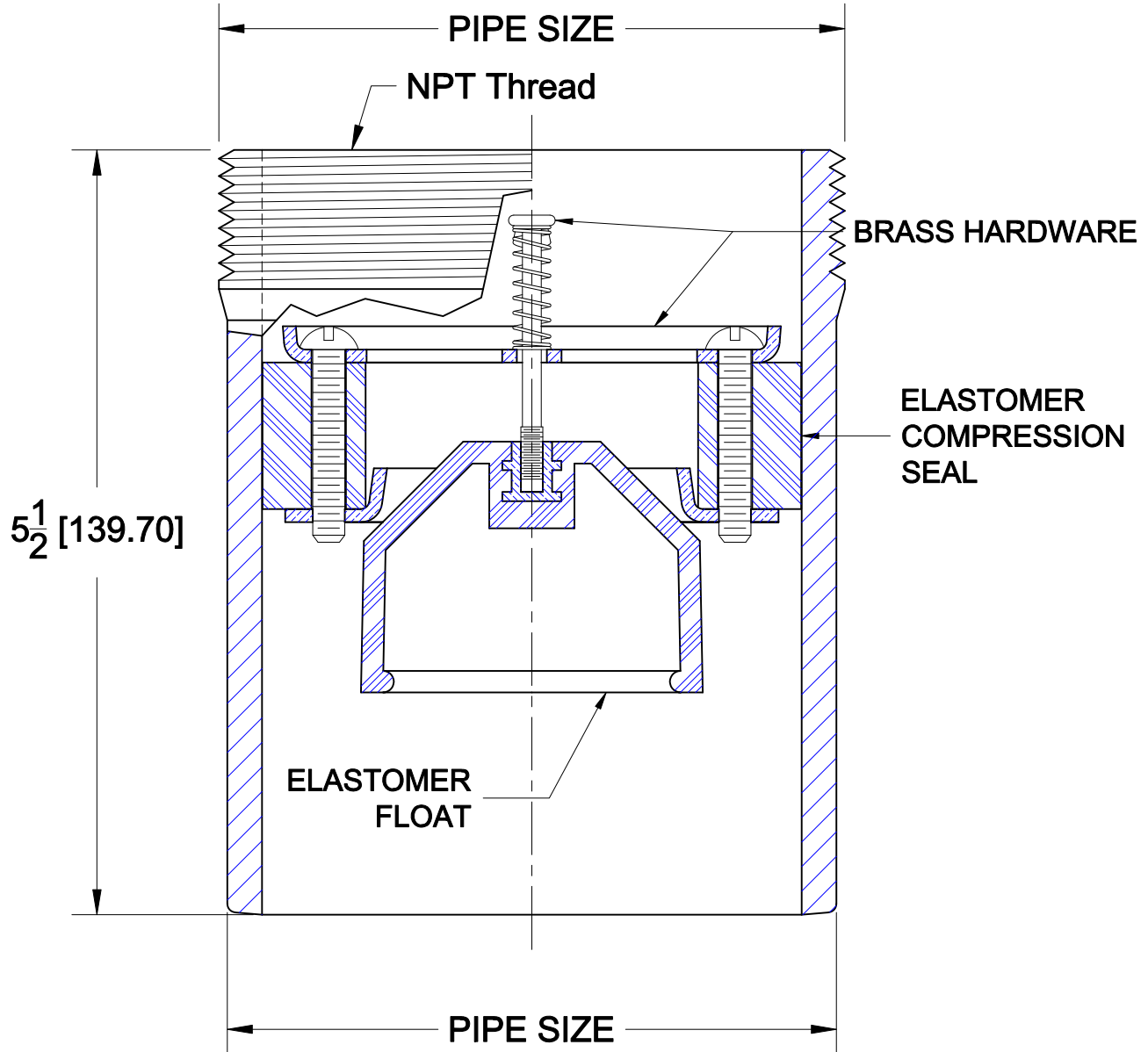


BACKWATER VALVE



4840

PAINTED CAST IRON BACKWATER VALVE WITH ELASTOMER FLOAT,
BRASS HARDWARE, NPT THREADED INLET & NO-HUB OUTLET



Cat. No.	Pipe Size	Wt. Lbs.	OPTIONS	
			Suffix	Description
<input type="checkbox"/> 4842	2 (50)	4.0	<input type="checkbox"/> 39	GALVANIZED IRON PARTS
<input type="checkbox"/> 4843	3 (75)	6.0	<input type="checkbox"/>	
<input type="checkbox"/> 4844	4 (100)	8.0	<input type="checkbox"/>	

AutoCad.dwg