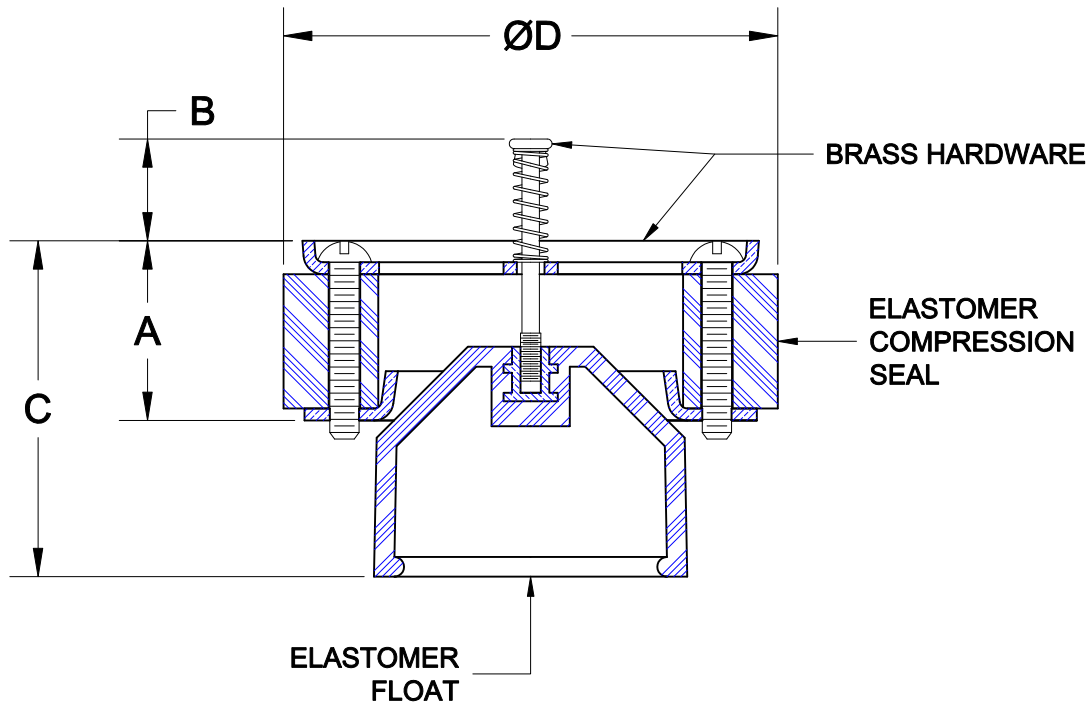


BACKWATER VALVE



4300

RETROFIT BACKWATER VALVE WITH ELASTOMER COMPRESSION SEAL, BRASS HARDWARE AND ELASTOMER FLOAT. (FITS STRAINERS OR PIPE)



PIPE SIZE	A	B		C		D	
		OPEN	CLOSED	OPEN	CLOSED	MIN	MAX
2"	1 1/8	0	5/16	2 1/16	1 5/8	1 15/16	2 1/16
3"	1 1/8	1/16	13/16	2 3/4	2 1/16	2 7/8	3 1/4
4"	1 1/8	1/16	1	2 13/16	2 1/16	3 13/16	4 1/16

NOTE: THESE VALVES OFFER PROTECTION AGAINST BACKWATER SURGES. BACKFLOW IS PREVENTED WHEN THE VALVE IS NOT OBSTRUCTED BY DEBRIS OR SLUDGE. THIS UNIT IS FOR GRAVITY FLOW ONLY, NOT FOR PRESSURIZED APPLICATIONS.

Cat. No.	Pipe Size	Wt. Lbs.
4302	2	.28
4303	3	.44
4304	4	.86

AutoCad.dwg