

LAVATORY CARRIER



Approval Date

Customer Approval

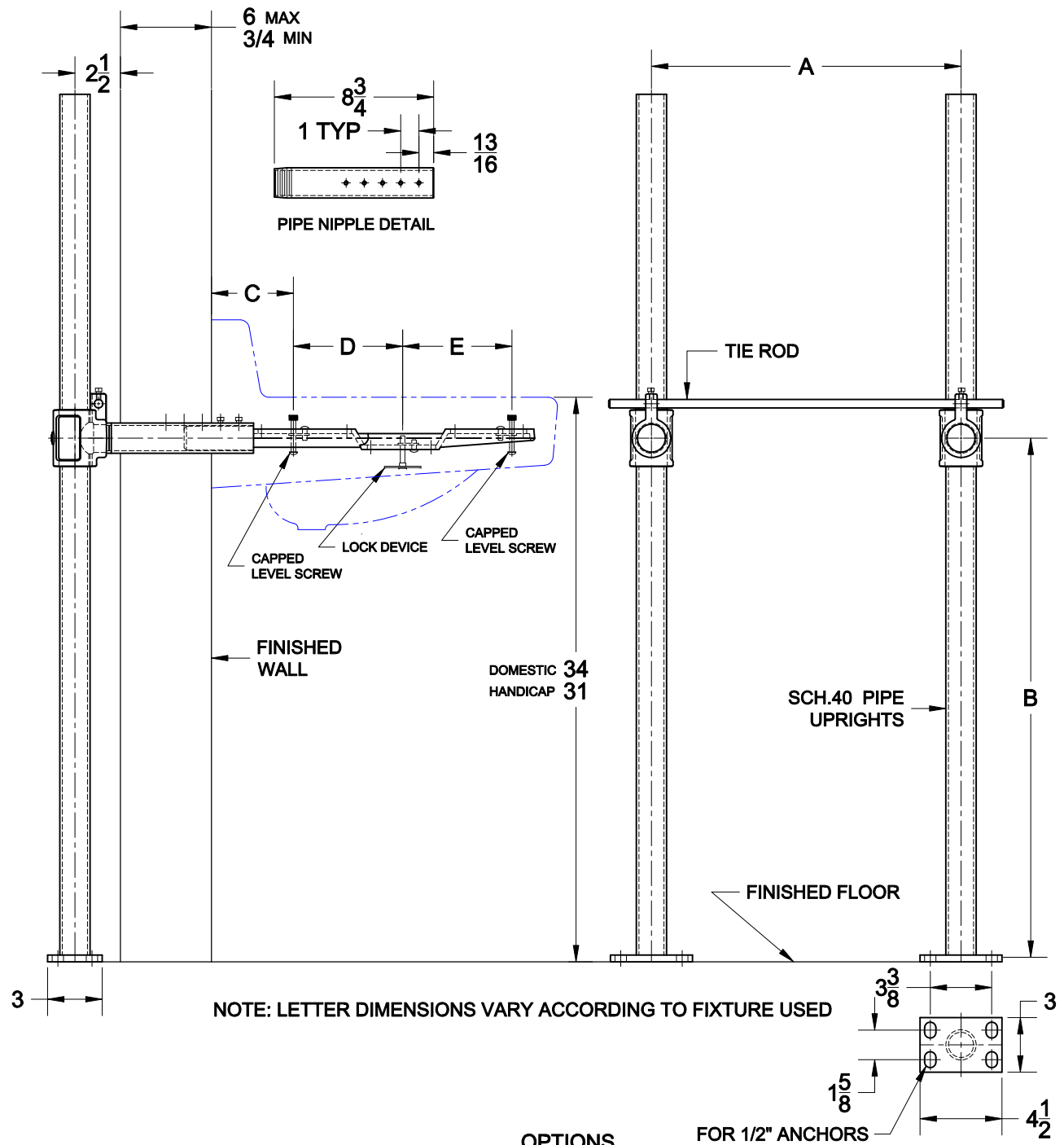
Job Location

Job Name

Dimensional Data (Inches/mm) are Subject to Manufacturers Tolerance and Change Without Notice. Wade Division / Tyler Pipe Assumes No Responsibility For Superseded or Voided Data

520-09

SINGLE CONCEALED ARM LAVATORY CARRIER WITH SCH.40 PIPE UPRIGHTS, CAST IRON HEADER COUPLINGS AND SUPPORT HARDWARE.



Cat. No.	Type	Wt. Lbs.	OPTIONS	
			Suffix	Description
520-09	Single	36.0	M36	Rectangular Steel Uprights

LAVATORY CARRIER



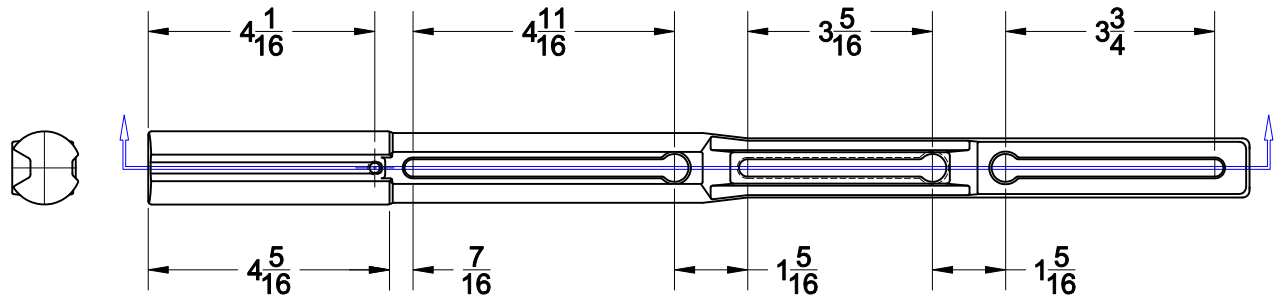
Approval Date

Dimensional Data (Inches/mm) are Subject to Manufacturers Tolerances and Change Without Notice. Wade Division / Tyler Pipe Assumes No Responsibility For Superseded or Voided Data

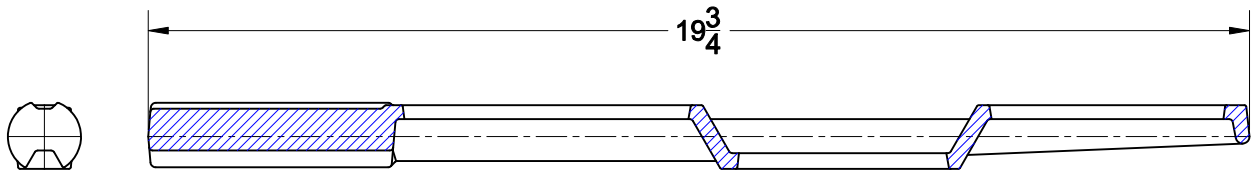
520-09

SINGLE CONCEALED ARM LAVATORY CARRIER WITH SCH.40 PIPE UPRIGHTS, CAST IRON HEADER COUPLINGS AND SUPPORT HARDWARE.

Customer Approval



TOP VIEW



ARM DETAIL

Job Location

Job Name