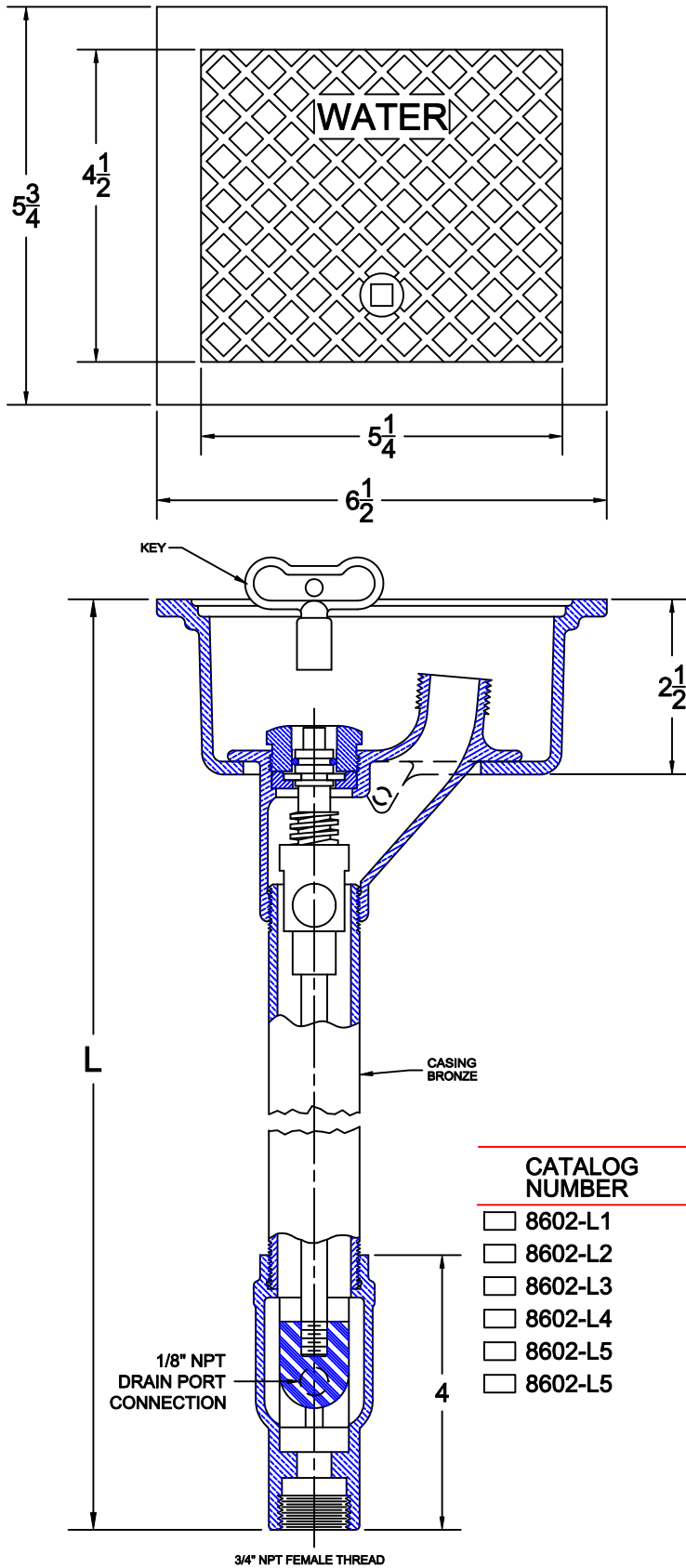


# GROUND HYDRANT



8602

NON-FREEZE GROUND HYDRANT W/ 3/4" NPT INLET, BRONZE CASING, NICKEL BRONZE BOX AND 3/4" HOSE CONNECTION.



AutoCad.dwg