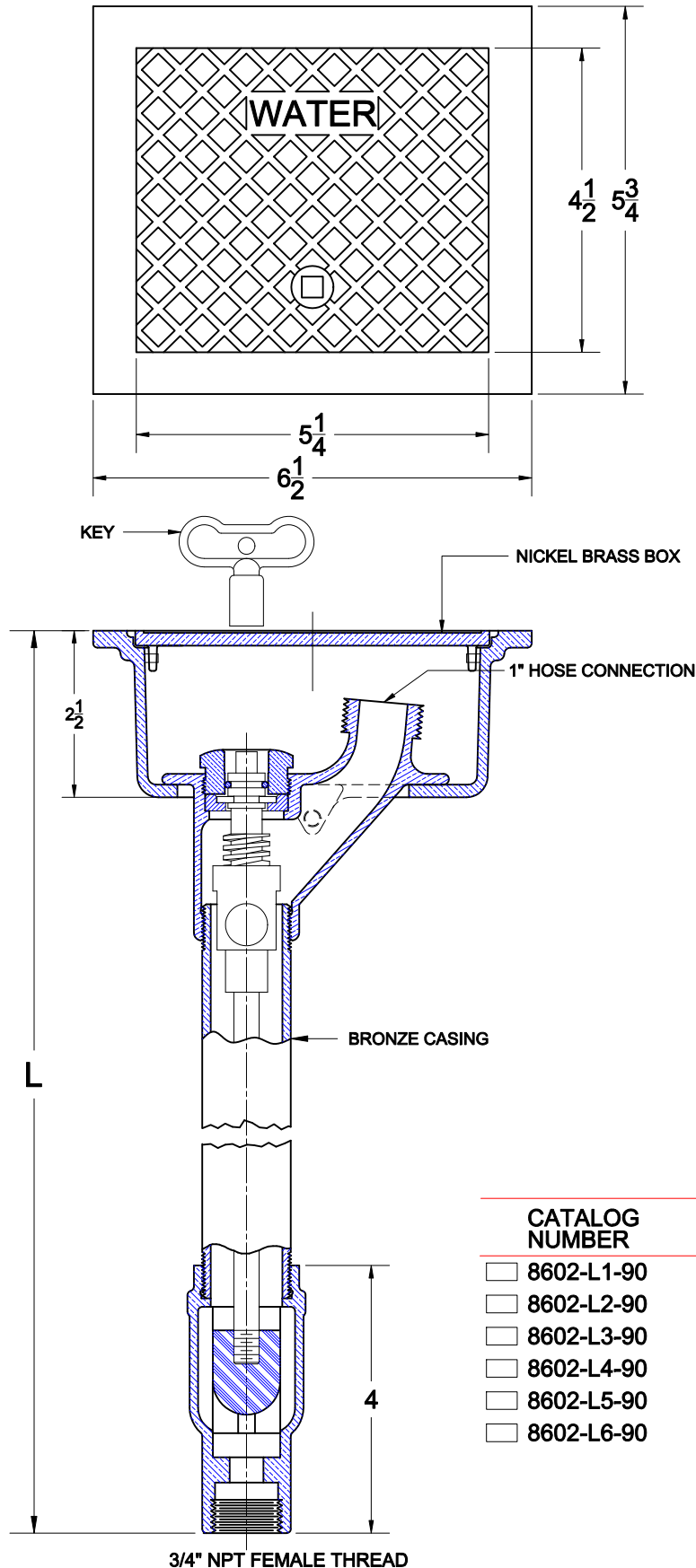


GROUND HYDRANT



8602-90

NON-FREEZE GROUND HYDRANT W/ 3/4" NPT INLET, BRONZE CASING, NICKEL BRONZE BOX, NEOPRENE PLUNGER AND 1" HOSE CONNECTION.



CATALOG NUMBER	DEPTH OF BURY (FT)	WEIGHT (LBS)
8602-L1-90	1	14.0
8602-L2-90	2	16.0
8602-L3-90	3	18.0
8602-L4-90	4	20.0
8602-L5-90	5	22.0
8602-L6-90	6	24.0

AutoCad.dwg