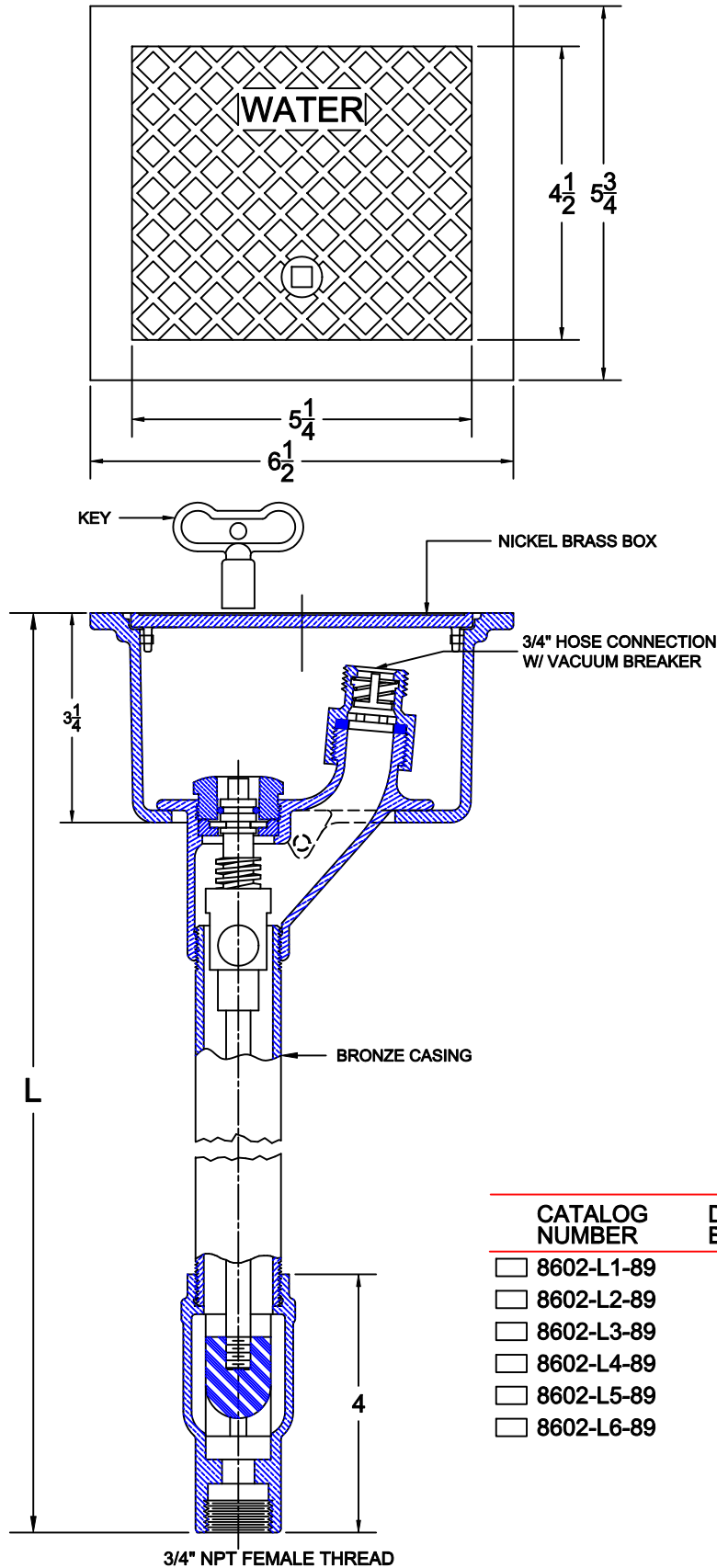


GROUND HYDRANT



8602-89

NON-FREEZE GROUND HYDRANT W/ 3/4" NPT INLET, BRONZE CASING, NICKEL BRASS BOX, HINGED LID, VACUUM BREAKER, NEOPRENE PLUNGER AND 3/4" HOSE CONNECTION.



CATALOG NUMBER	DEPTH OF BURY (FT)	WEIGHT (LBS)
8602-L1-89	1	14.0
8602-L2-89	2	16.0
8602-L3-89	3	18.0
8602-L4-89	4	20.0
8602-L5-89	5	22.0
8602-L6-89	6	24.0

AutoCad.dwg