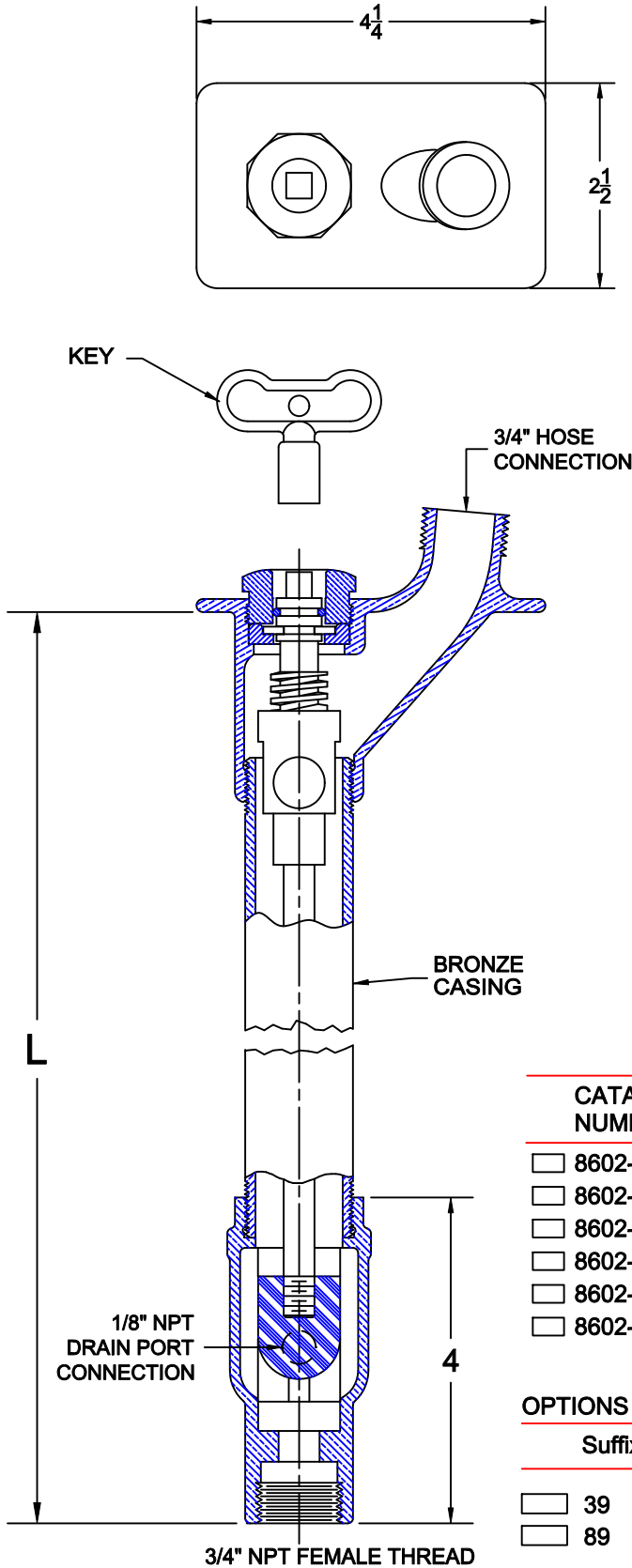


GROUND HYDRANT



8602-270

NON-FREEZE GROUND HYDRANT W/ 3/4" NPT INLET, BRONZE CASING, SATIN FINISH BRONZE HEAD, NEOPRENE PLUNGER, BRASS OPERATING ASSEMBLY AND 3/4" HOSE CONNECTION.



CATALOG NUMBER	DEPTH OF BURY (FT)	WEIGHT (LBS)
<input type="checkbox"/> 8602-L1	1	14.0
<input type="checkbox"/> 8602-L2	2	16.0
<input type="checkbox"/> 8602-L3	3	18.0
<input type="checkbox"/> 8602-L4	4	20.0
<input type="checkbox"/> 8602-L5	5	22.0
<input type="checkbox"/> 8602-L5	6	24.0

OPTIONS

Suffix	Description
<input type="checkbox"/> 39	GALVANIZED CASING
<input type="checkbox"/> 89	VACUUM BREAKER

AutoCad.dwg