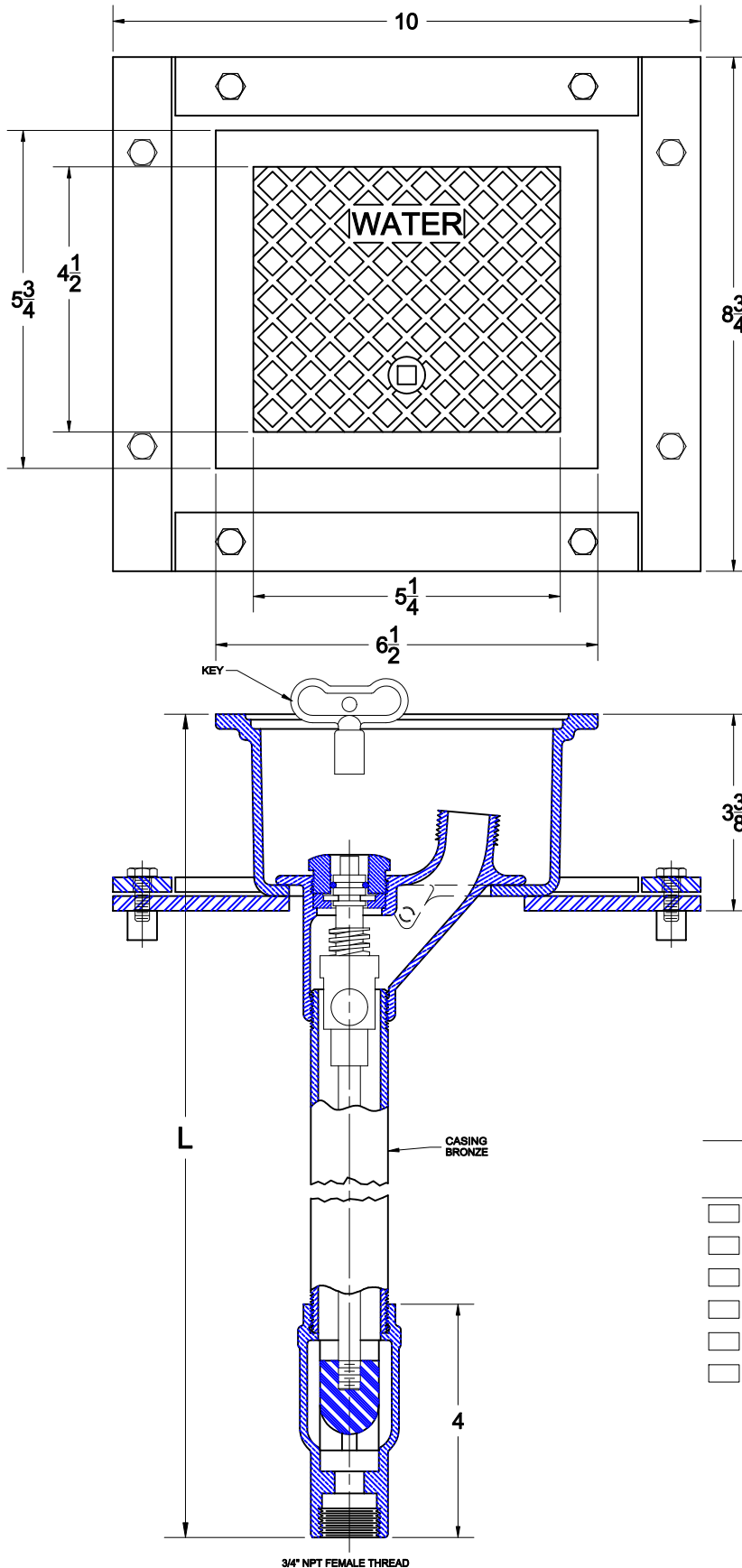


GROUND HYDRANT



8602-24-26

NON-FREEZE GROUND HYDRANT W/ 3/4" NPT INLET, BRONZE CASING, NICKEL BRONZE BOX W/ FLANGE & CLAMP AND 3/4" HOSE CONNECTION.



CATALOG NUMBER	DEPTH OF BURY (FT)	WEIGHT (LBS)
8602-L1-24-26	1	14.0
8602-L2-24-26	2	16.0
8602-L3-24-26	3	18.0
8602-L4-24-26	4	20.0
8602-L5-24-26	5	22.0
8602-L5-24-26	6	24.0