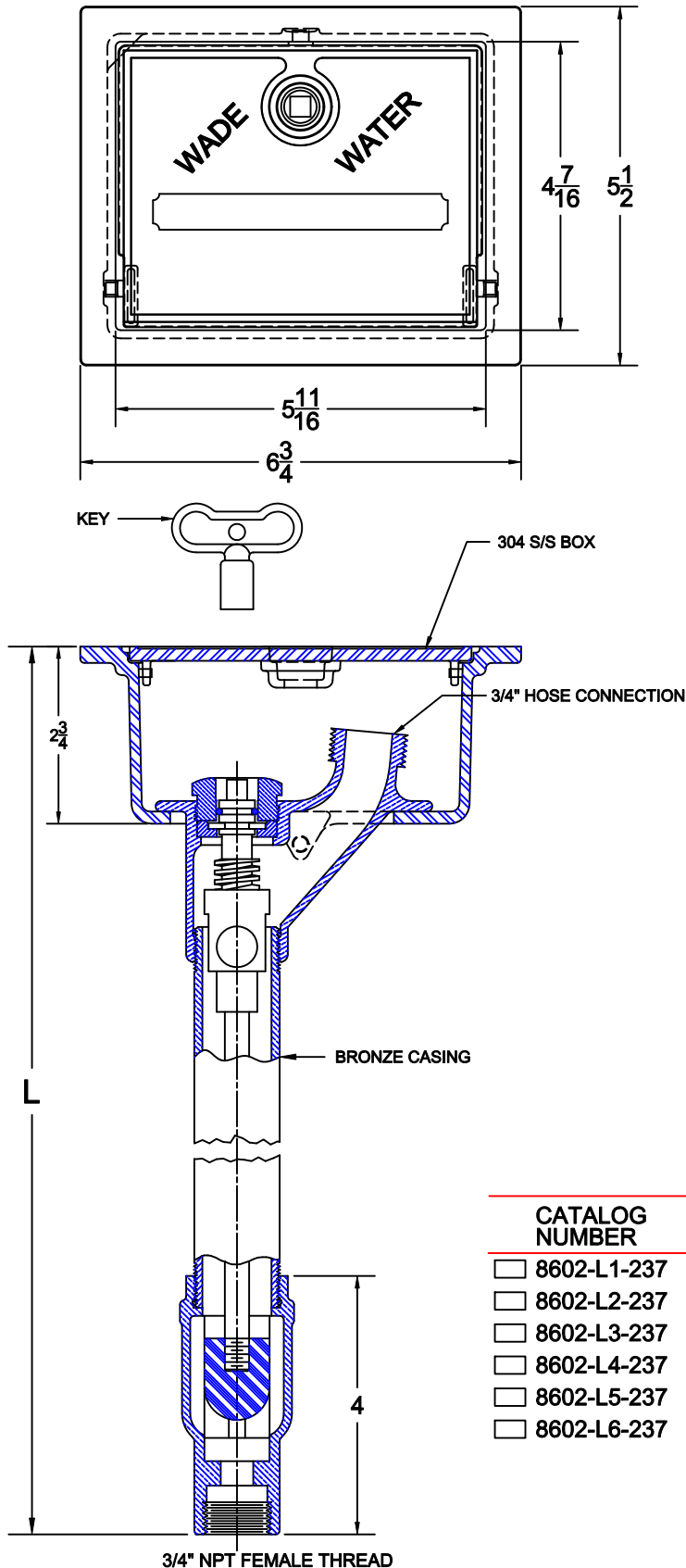


GROUND HYDRANT



8602-237

NON-FREEZE GROUND HYDRANT W/ 3/4" NPT INLET, BRONZE CASING, 304 S/S BOX, HINGED LID, NEOPRENE PLUNGER AND 3/4" HOSE CONNECTION.



CATALOG NUMBER	DEPTH OF BURY (FT)	WEIGHT (LBS)
8602-L1-237	1	14.0
8602-L2-237	2	16.0
8602-L3-237	3	18.0
8602-L4-237	4	20.0
8602-L5-237	5	22.0
8602-L6-237	6	24.0

AutoCad.dwg