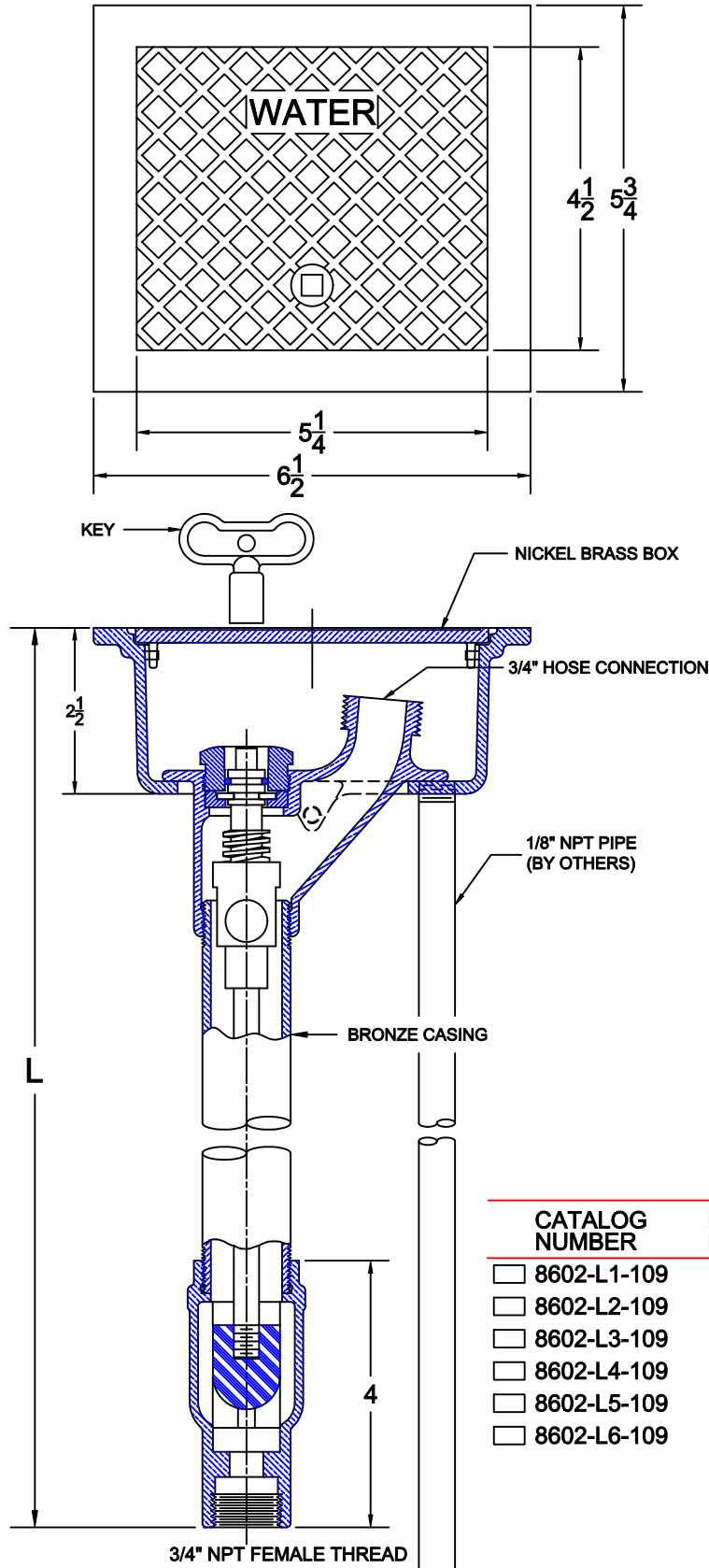


GROUND HYDRANT



8602-109

NON-FREEZE GROUND HYDRANT W/ 3/4" NPT INLET, BRONZE CASING, NICKEL BRASS BOX, 1/8" NPT DRAIN HOLE, NEOPRENE PLUNGER AND 3/4" HOSE CONNECTION.



CATALOG NUMBER	DEPTH OF BURY (FT)	WEIGHT (LBS)
8602-L1-109	1	14.0
8602-L2-109	2	16.0
8602-L3-109	3	18.0
8602-L4-109	4	20.0
8602-L5-109	5	22.0
8602-L6-109	6	24.0

AutoCad.dwg