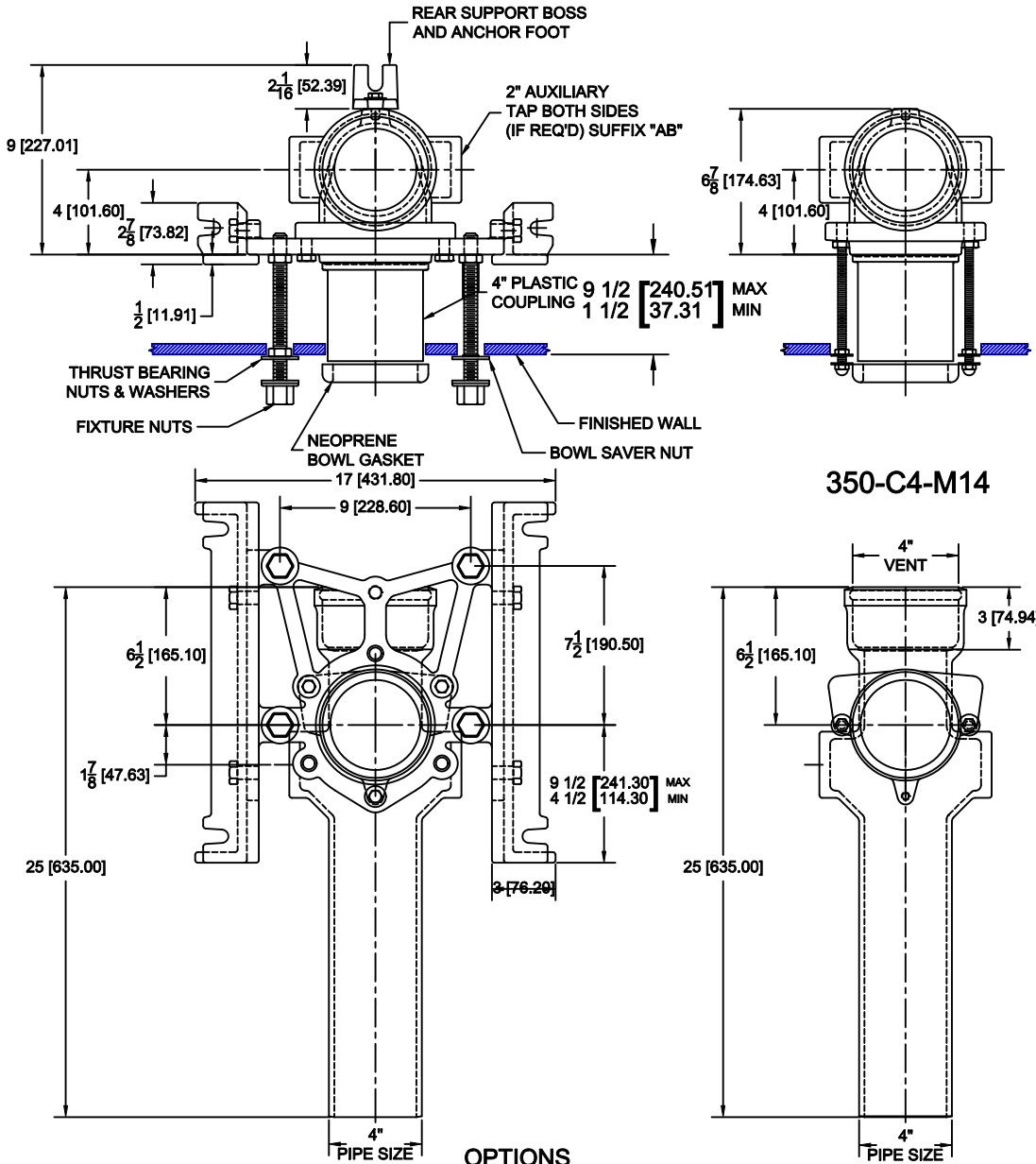


CLOSET CARRIER



350 SERIES

SV HUB & SPIGOT VERTICAL FIXED SINGLE WATER CLOSET CARRIER WITH UNIVERSAL FOOT SUPPORTS, REAR ANCHOR FOOT, ABS PLASTIC CLOSET COUPLING WITH O-RING SEAL, FIXTURE SUPPORT STUDS, CHROME PLATED CAP NUTS, NEOPRENE BOWL GASKET, INTEGRAL TEST CAP AND STUD PROTECTORS. CONFORMS TO ASME A112.6.1M (UP TO 300 LBS)



OPTIONS

CAT.NO.	VENT SIZE	WT.LB.
□ 350-C4	4" (100)	95.0

Suffix	Description
□ C7	COUPLING PACKAGE (6" MAX "C" DIMENSION)
□ C11	COUPLING PACKAGE (10" MAX "C" DIMENSION)
□ C14	COUPLING PACKAGE (13" MAX "C" DIMENSION)†
□ C24	COUPLING PACKAGE (23" MAX "C" DIMENSION)†
□ AM1	FLUSH VALVE PIPING SUPPORT
□ AM4	AUXILIARY FOOT SUPPORT
□ AM21	TILE FINISHING FRAME
□ AB	AUXILIARY INLETS (2" NPT) BOTH SIDES

† AUXILIARY FOOT SUPPORT RECOMMENDED (AM4)

AutoCad.dwg