

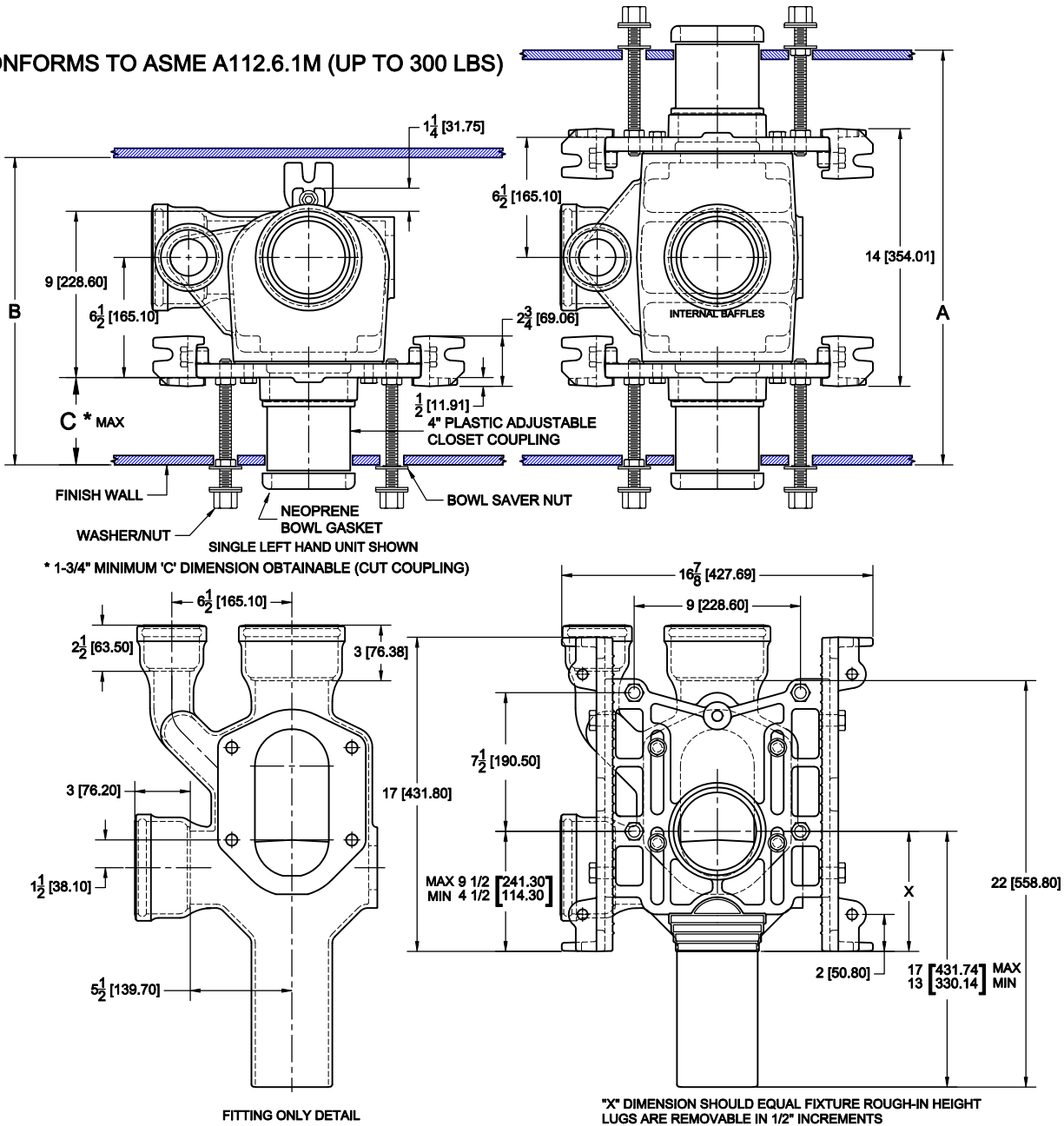
CLOSET CARRIER



340 SERIES (SV HUB & SPIGOT)

ADJUSTABLE VERTICAL WATER CLOSET CARRIER WITH CAST IRON LEFT HAND, RIGHT HAND OR DOUBLE MAIN FITTING WITH 4"WASTE AND 2" VENT, 4" SIDE INLET, ADJUSTABLE GASKETED FACEPLATE, UNIVERSAL FLOOR MOUNTED FOOT SUPPORTS, ABS COUPLING WITH INTEGRAL TEST CAP, FIXTURE SUPPORT STUDS, CHROME PLATED CAP NUTS, STUD PROTECTORS, NEOPRENE BOWL GASKET AND REAR ANCHOR FOOT.

CONFORMS TO ASME A112.6.1M (UP TO 300 LBS)



OPTIONS

Cat.No.	Wt.Lb.
340-CL	115.0
340-CR	115.0
340-CD	210.0

Suffix	Description
C7	COUPLING PACKAGE (6" MAX "C" DIMENSION)
C11	COUPLING PACKAGE (10" MAX "C" DIMENSION)
C14	COUPLING PACKAGE (13" MAX "C" DIMENSION) †
C24	COUPLING PACKAGE (23" MAX "C" DIMENSION) †
AM1	FLUSH VALVE PIPING SUPPORT
AM4	AUXILIARY FOOT SUPPORT
AB	AUXILIARY INLETS (2" NPT) BOTH SIDES

† AUXILIARY FOOT SUPPORT RECOMMENDED(AM4)

AutoCad.dwg