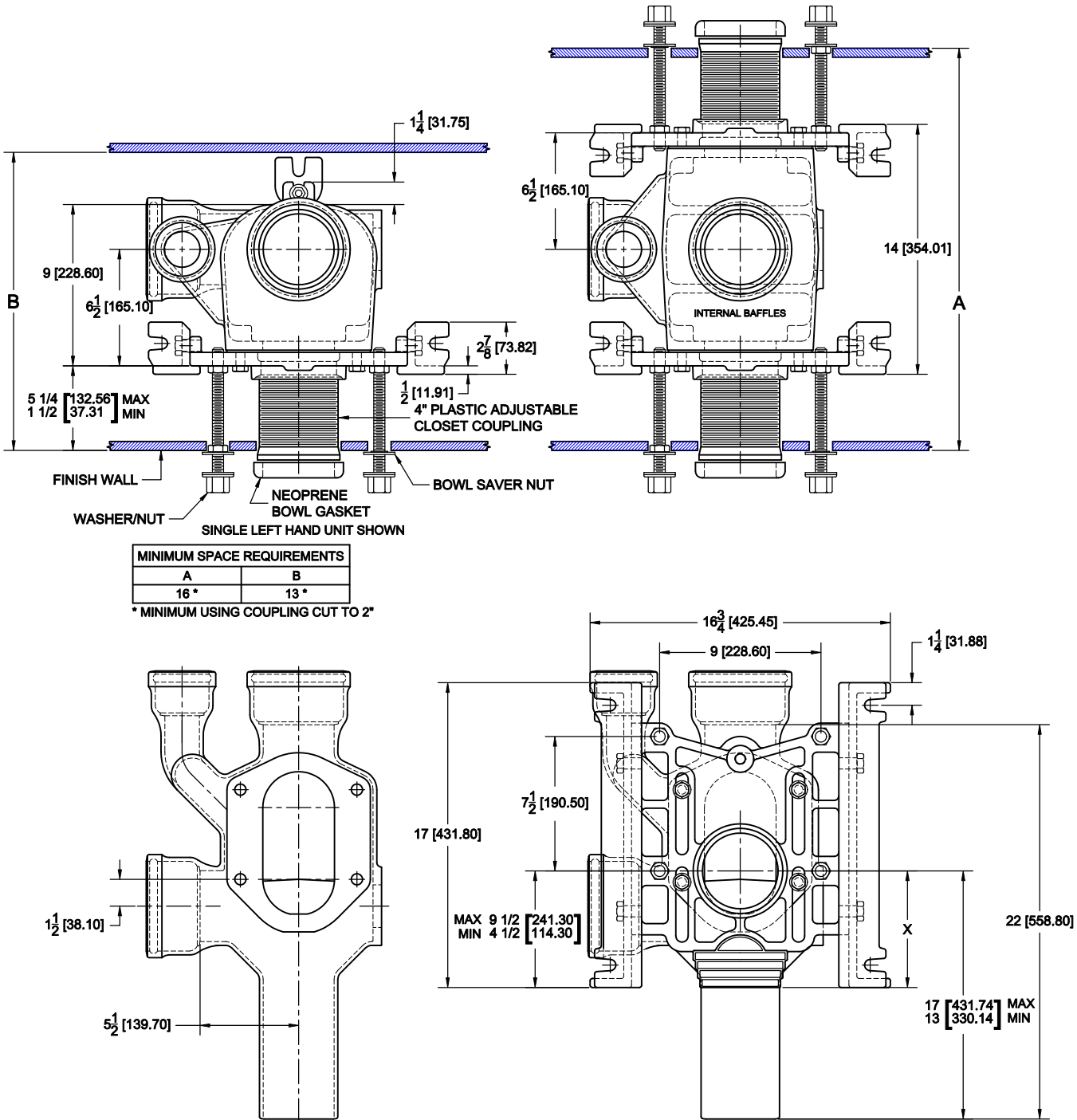


# CLOSET CARRIER



## 340-FPO SERIES

SERVICE WEIGHT HUB & SPIGOT ADJUSTABLE VERTICAL CLOSET CARRIER WITH 4" SIDE INLET



MINIMUM SPACE REQUIREMENTS	
A	B
16"	13"

\* MINIMUM USING COUPLING CUT TO 2"

FITTING ONLY DETAIL

\*"X" DIMENSION SHOULD EQUAL FIXTURE ROUGH-IN HEIGHT  
LUGS ARE REMOVABLE IN 1/2" INCREMENTS

Cat.No.	Wt.Lb.
<input type="checkbox"/> 340-CL-FPO	110.0
<input type="checkbox"/> 340-CR-FPO	110.0
<input type="checkbox"/> 340-CD-FPO	160.0

OPTIONS	
Suffix	Description
<input type="checkbox"/> AP14	PLASTIC ADJ. COUPLING - 14" LONG
<input type="checkbox"/> AC2.75	CAST IRON ADJ. COUPLING - 2 3/4" LONG
<input type="checkbox"/> AC4	CAST IRON ADJ. COUPLING - 4" LONG
<input type="checkbox"/> AC6	CAST IRON ADJ. COUPLING - 6" LONG

AutoCad.dwg