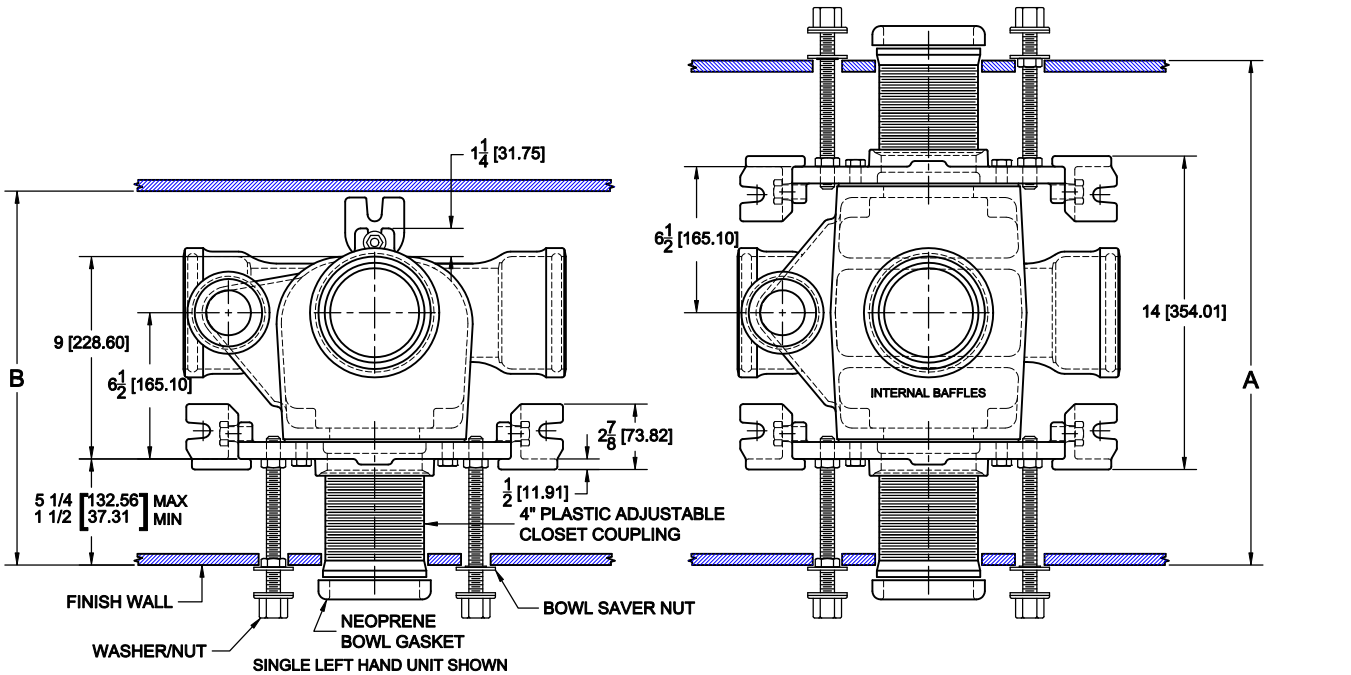


CLOSET CARRIER



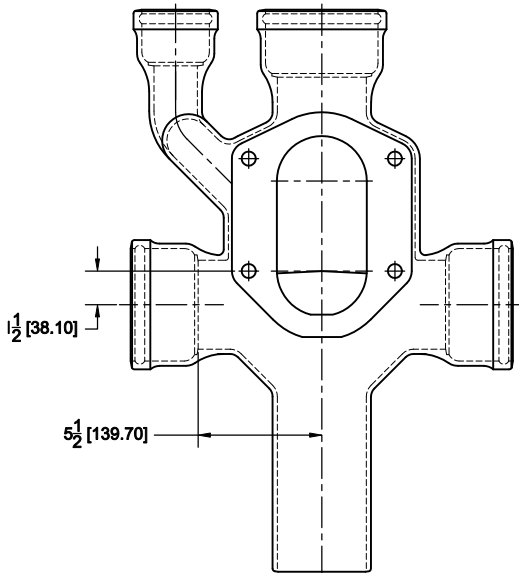
340-A-FPO SERIES

SERVICE WEIGHT HUB & SPIGOT ADJUSTABLE VERTICAL CLOSET CARRIER WITH TWO 4" SIDE INLETS

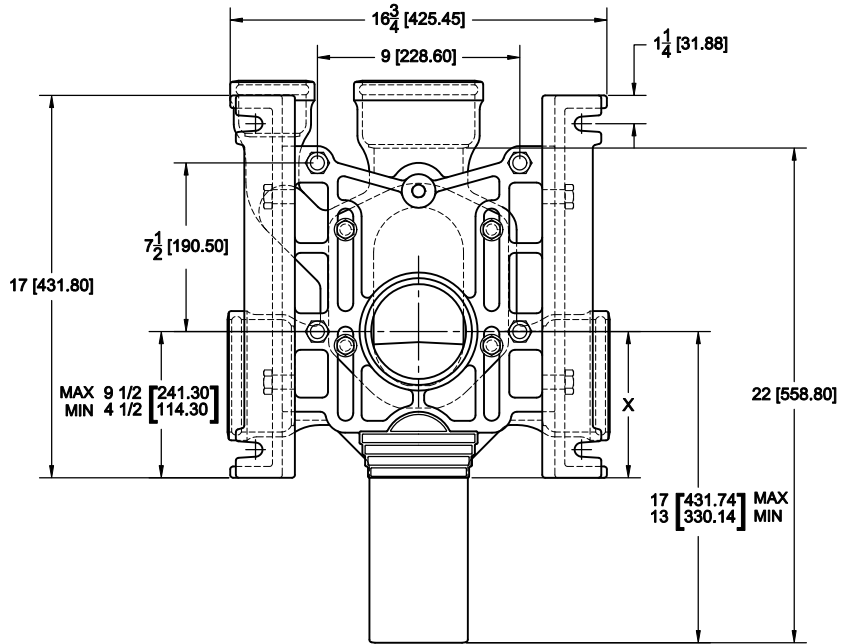


MINIMUM SPACE REQUIREMENTS	
A	B
16"	13"

* MINIMUM USING COUPLING CUT TO 2"



FITTING ONLY DETAIL



*X DIMENSION SHOULD EQUAL FIXTURE ROUGH-IN HEIGHT LUGS ARE REMOVABLE IN 1/2" INCREMENTS

OPTIONS

Cat.No.	Wt.Lb.
<input type="checkbox"/> 340-ACL-FPO	110.0
<input type="checkbox"/> 340-ACR-FPO	110.0
<input type="checkbox"/> 340-ACD-FPO	165.0

Suffix	Description
<input type="checkbox"/> AP14	PLASTIC ADJ. NIPPLE - 14"
<input type="checkbox"/> AC2.75	CAST IRON ADJ. COUPLING - 2 3/4" LONG
<input type="checkbox"/> AC4	CAST IRON ADJ. COUPLING - 4" LONG
<input type="checkbox"/> AC6	CAST IRON ADJ. COUPLING - 6" LONG

AutoCad.dwg