

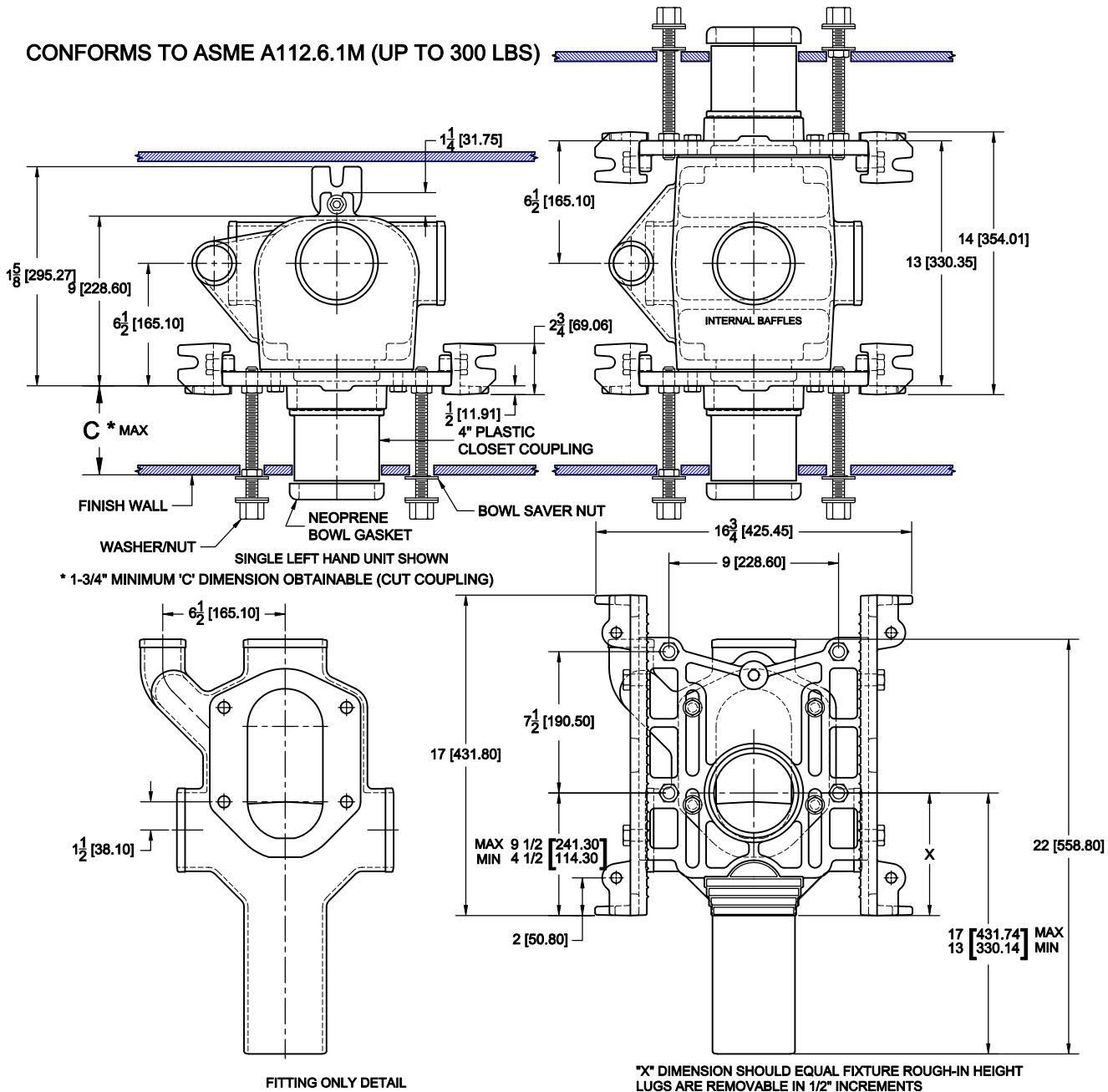
CLOSET CARRIER



340-A SERIES

ADJUSTABLE VERTICAL WATER CLOSET CARRIER WITH CAST IRON LEFT HAND, RIGHT HAND OR DOUBLE MAIN FITTING WITH 4" WASTE, 2" VENT & 4" AUXILIARY SIDE INLETS, ADJUSTABLE GASKETED FACEPLATE, FLOOR MOUNTED FOOT SUPPORTS, ABS COUPLING WITH INTEGRAL TEST CAP, FIXTURE SUPPORT STUDS, CHROME PLATED CAP NUTS, STUD PROTECTORS, NEOPRENE BOWL GASKET AND REAR ANCHOR FOOT.

CONFORMS TO ASME A112.6.1M (UP TO 300 LBS)



FITTING ONLY DETAIL

*X" DIMENSION SHOULD EQUAL FIXTURE ROUGH-IN HEIGHT LUGS ARE REMOVABLE IN 1/2" INCREMENTS

OPTIONS

Cat.No.	Wt.Lb.
340-ANL	95.0
340-ANR	95.0
340-AND	155.0

Suffix	Description
C7	COUPLING PACKAGE (6" MAX "C" DIMENSION)
C11	COUPLING PACKAGE (10" MAX "C" DIMENSION)
C14	COUPLING PACKAGE (13" MAX "C" DIMENSION)†
C24	COUPLING PACKAGE (23" MAX "C" DIMENSION)†
AM1	FLUSH VALVE PIPING SUPPORT
AM4	AUXILIARY FOOT SUPPORT
AM21	TILE FINISHING FRAME

† AUXILIARY FOOT SUPPORT RECOMMENDED (AM4)

AutoCad.dwg