

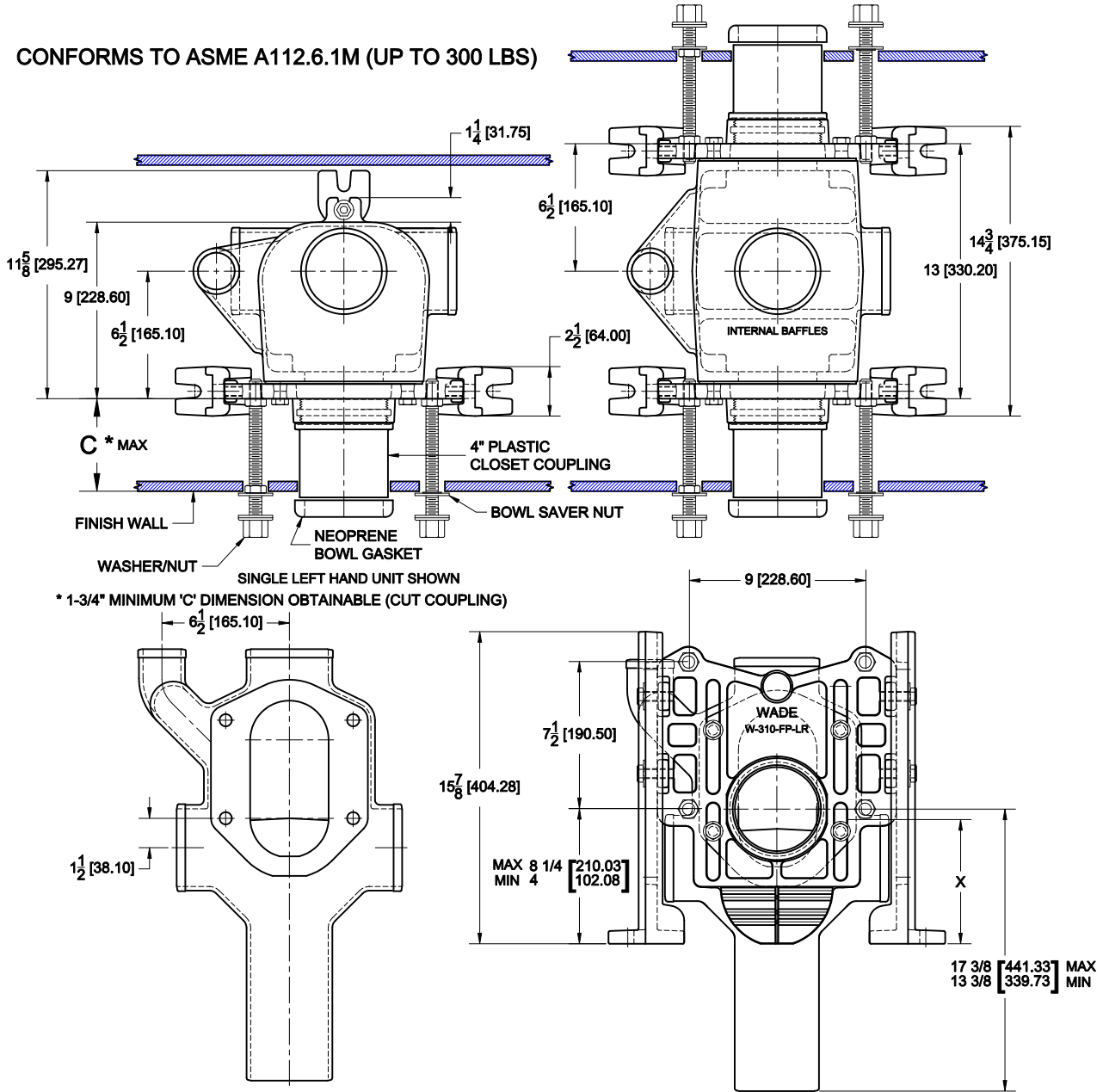
CLOSET CARRIER



340-A-LR SERIES

ADJUSTABLE VERTICAL WATER CLOSET CARRIER WITH CAST IRON LEFT HAND, RIGHT HAND OR DOUBLE MAIN FITTING WITH 4" WASTE, 2" VENT & 4" AUXILIARY SIDE INLETS, ADJUSTABLE GASKETED FACEPLATE, FLOOR MOUNTED FOOT SUPPORTS, ABS COUPLING WITH INTEGRAL TEST CAP, FIXTURE SUPPORT STUDS, CHROME PLATED CAP NUTS, STUD PROTECTORS, NEOPRENE BOWL GASKET AND REAR ANCHOR FOOT.

CONFORMS TO ASME A112.6.1M (UP TO 300 LBS)



"X" DIMENSION SHOULD EQUAL FIXTURE ROUGH-IN HEIGHT
LUGS ARE REMOVABLE IN 1/2" INCREMENTS

FITTING ONLY DETAIL **OPTIONS**

Cat.No.

Wt.Lb.

Suffix

Description

<input type="checkbox"/>	340-ANL-LR	95.0
<input type="checkbox"/>	340-ANR-LR	95.0
<input type="checkbox"/>	340-AND-LR	155.0

<input type="checkbox"/>	C7	COUPLING PACKAGE (6" MAX "C" DIMENSION)
<input type="checkbox"/>	C11	COUPLING PACKAGE (10" MAX "C" DIMENSION)
<input type="checkbox"/>	C14	COUPLING PACKAGE (13" MAX "C" DIMENSION)†
<input type="checkbox"/>	C24	COUPLING PACKAGE (23" MAX "C" DIMENSION)†
<input type="checkbox"/>	AM1	FLUSH VALVE PIPING SUPPORT
<input type="checkbox"/>	AM4	AUXILIARY FOOT SUPPORT
<input type="checkbox"/>	AM21	TILE FINISHING FRAME

† AUXILIARY FOOT SUPPORT RECOMMENDED (AM4)

AutoCad.dwg